



Robotic Solution

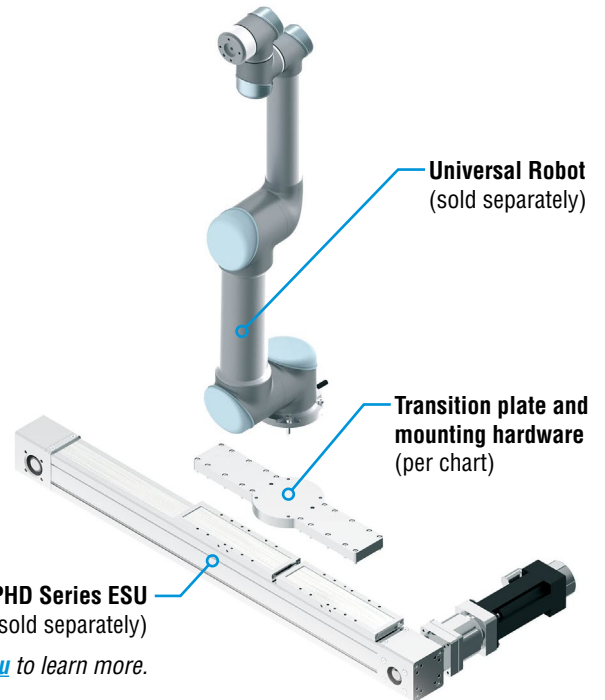
Modular 7th Axis Linear Actuator

Exclusively for  Universal Robots

BENEFITS

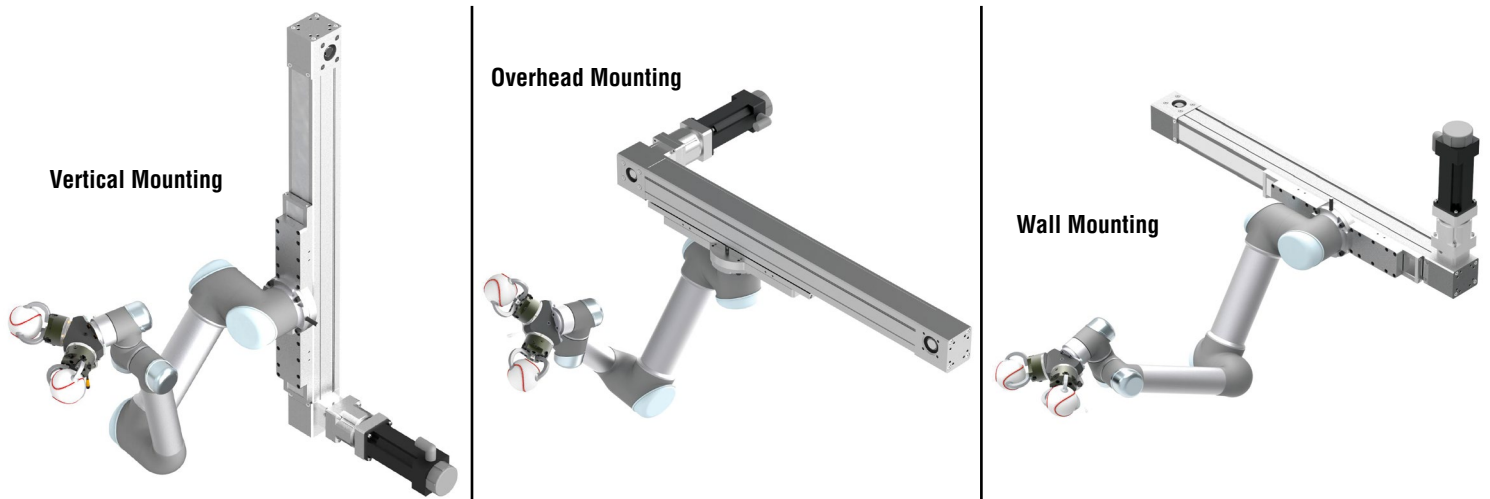
- Transition plates and hardware available for direct mounting between electric linear actuator and robot.
- Torque limiting features on servo-driven linear actuator can provide faults in case of collisions.*
- With a maximum stroke of 5.500 mm, the 7th axis linear actuator can multiply working area of the robot tenfold.

UNIVERSAL ROBOTS	UR3	UR5	UR10
MAXIMUM PAYLOAD	3 kg	5 kg	10 kg
REACH	500 mm	850 mm	1300 mm
WEIGHT	11 kg	18,4 kg	28,9 kg
RECOMMENDED 7th AXIS**	ESUS55	ESUD56	ESUD58
TRANSITION PLATE	ML317526	ML317527	ML317528



Visit phdinc.com/esu to learn more.

The robust design of the Series ESU Electric Belt-Driven Linear Actuator provides a superior guide system to support the robot in various orientations.



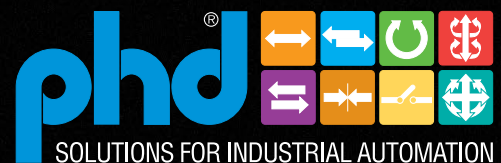
*Series ESU Electric Linear Actuators are not collaborative rated from PHD. Customer assumes the responsibility of risk assessment.
 **Recommended linear actuator selected for maximum payload and reach of robot. Contact PHD Applications Engineering for other combinations.

© Copyright 2019, by PHD, Inc. All Rights Reserved. Printed in the U.S.A.

MCPURBASESLIDEA-EU



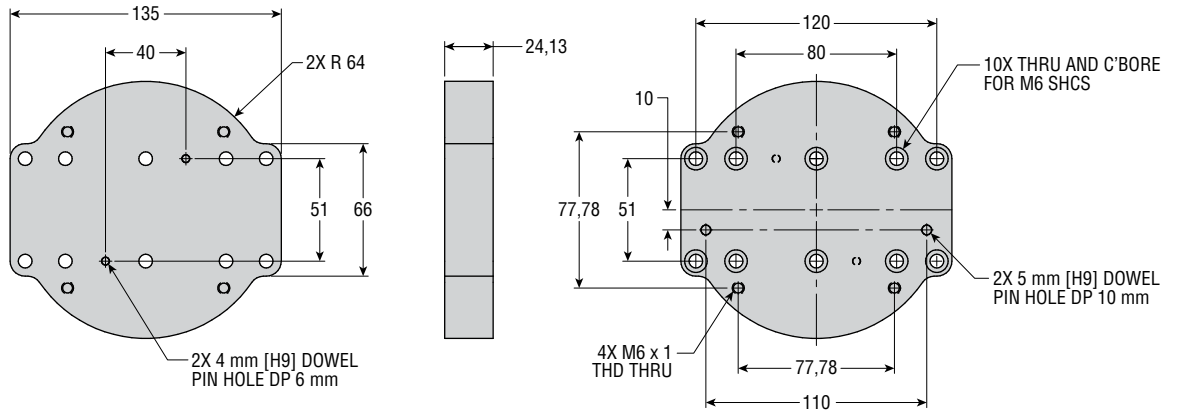
PHD is a member of the
MAC Distributor Network



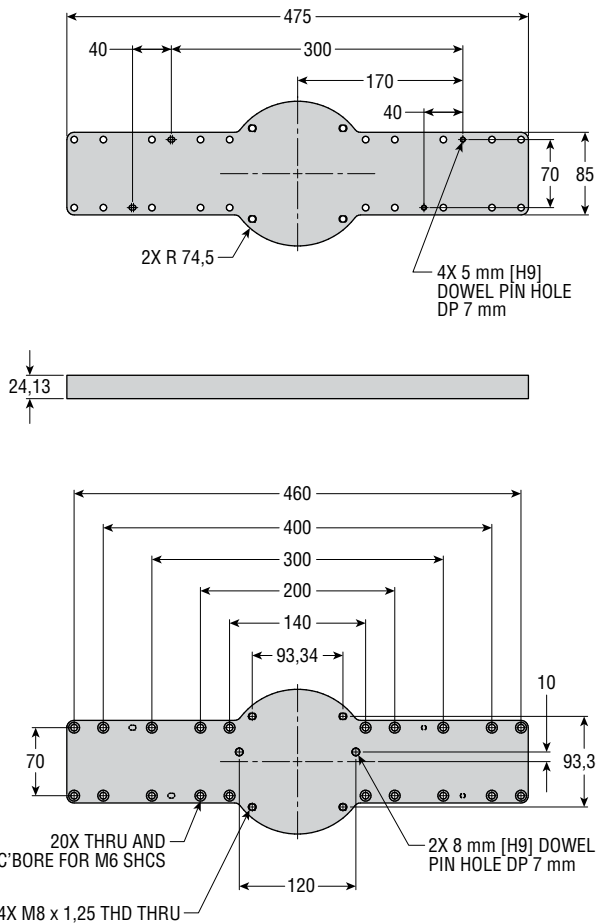
www.phdinc.com

DIMENSIONS: TRANSITION PLATES

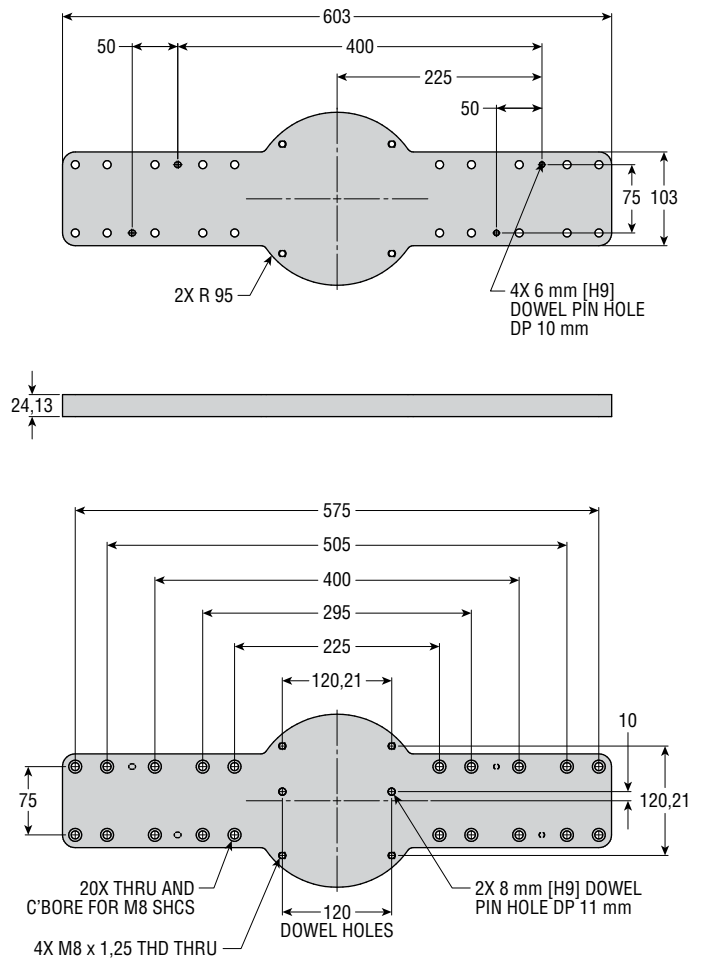
ML317526 (Single Saddle)



ML317527 (Dual Saddle)



ML317528 (Dual Saddle)



All dimensions are reference only unless specifically toleranced.