



Robotic Solution

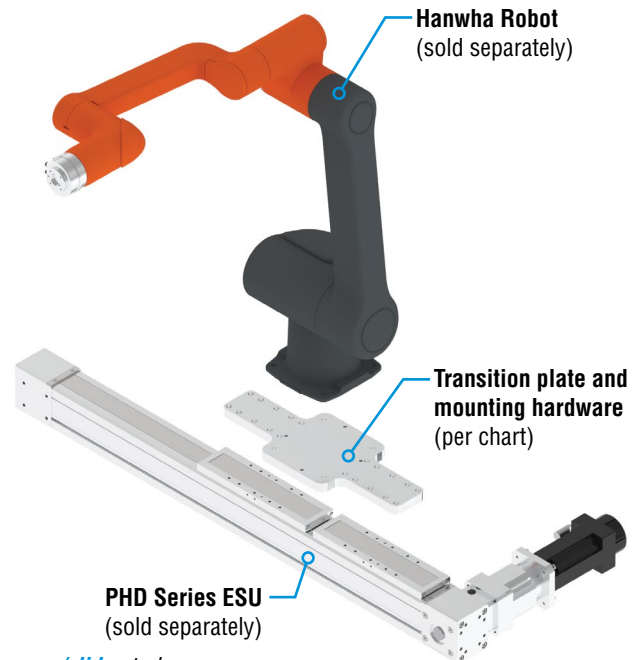
Modular 7th Axis Linear Actuator

Exclusively for Hanwha Robots

BENEFITS

- Transition plates and hardware available for direct mounting between electric linear actuator and robot.
- Torque limiting features on servo-driven linear actuator can provide faults in case of collisions.*
- With a maximum stroke of 5.500 mm, the 7th axis linear actuator can multiply working area of the robot tenfold.

HANWHA ROBOTS	HCR-3	HCR-5	HCR-12
MAXIMUM PAYLOAD	3 kg	5 kg	12 kg
REACH	630 mm	915 mm	1300 mm
WEIGHT	13 kg	21 kg	53 kg
RECOMMENDED 7th AXIS**	ESUS55	ESUD56	ESUD58
TRANSITION PLATE	ML318421	ML318422	ML318423
PLATE WEIGHT	0,9 kg	3,0 kg	4,6 kg

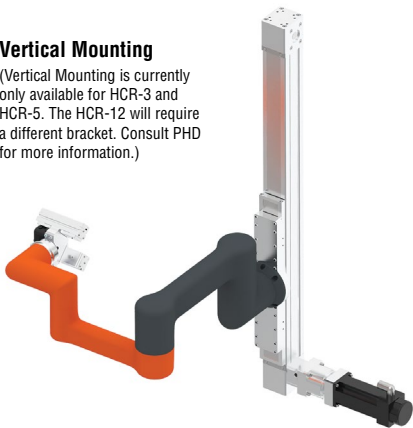


Visit phdinc.com/slides to learn more.

The robust design of the Series ESU Electric Belt-Driven Linear Actuator provides a superior guide system to support the robot in various orientations.

Vertical Mounting

(Vertical Mounting is currently only available for HCR-3 and HCR-5. The HCR-12 will require a different bracket. Consult PHD for more information.)

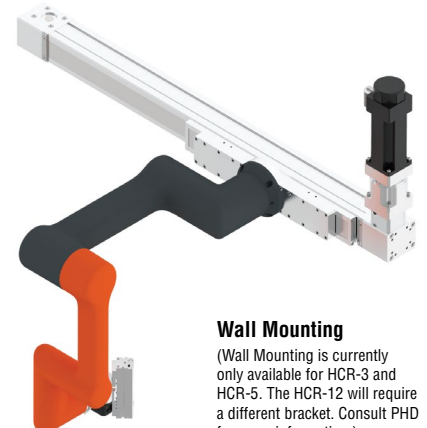


Overhead Mounting



Wall Mounting

(Wall Mounting is currently only available for HCR-3 and HCR-5. The HCR-12 will require a different bracket. Consult PHD for more information.)



*Series ESU Electric Linear Actuators are not collaborative rated from PHD. Customer assumes the responsibility of risk assessment.

**Recommended linear actuator selected for maximum payload and reach of robot. Contact PHD Applications Engineering for other combinations.

© Copyright 2020, by PHD, Inc. All Rights Reserved. Printed in the U.S.A.

MCPHABASESLIDE-EU



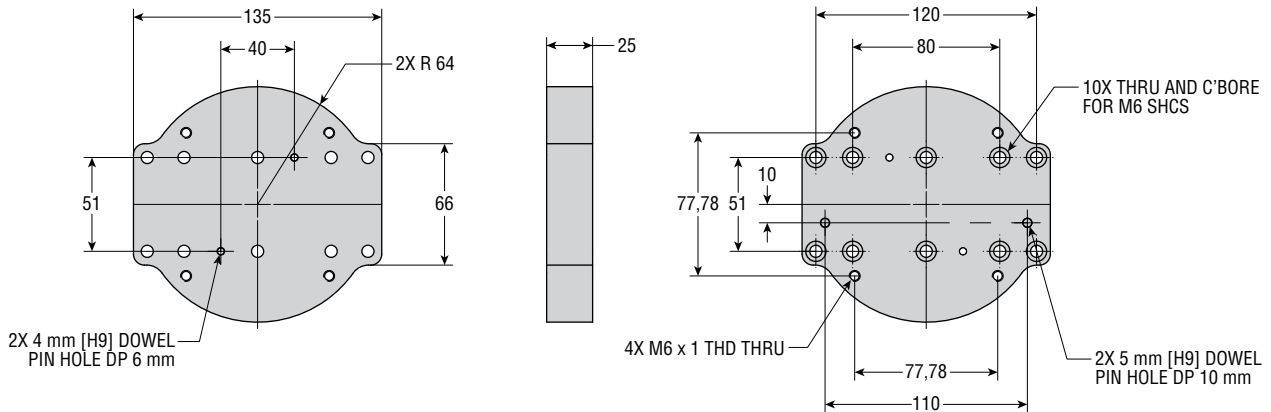
PHD is a member of the
MAC Distributor Network



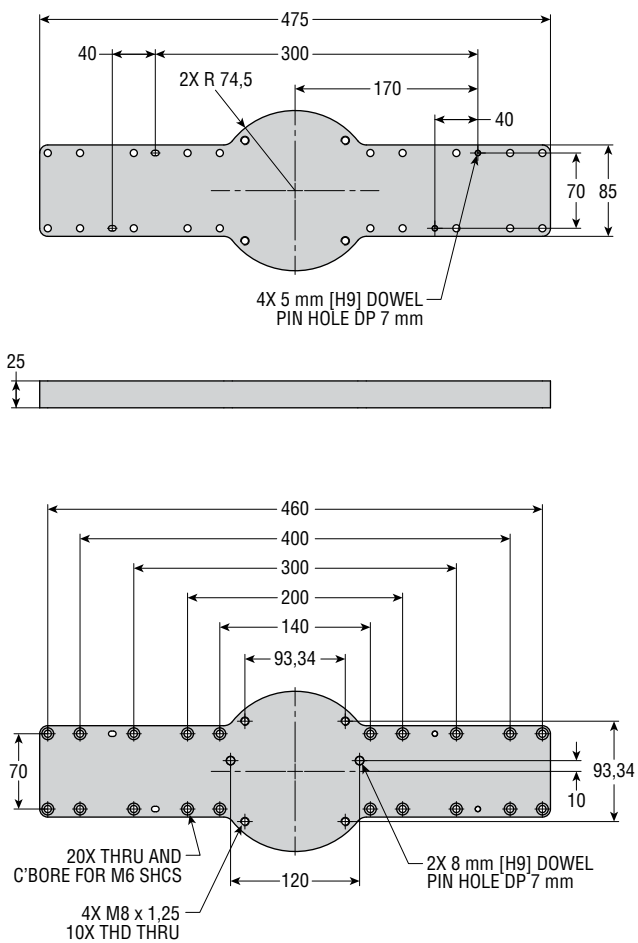
www.phdinc.com

DIMENSIONS: TRANSITION PLATES

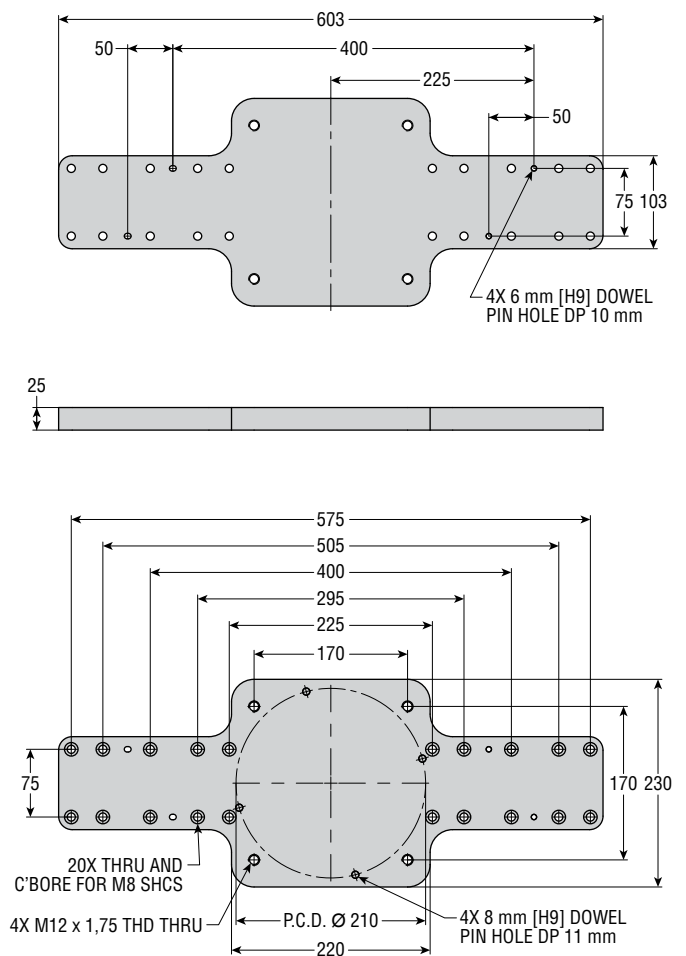
ML318421



ML318422



ML318423



All dimensions are reference only unless specifically toleranced.