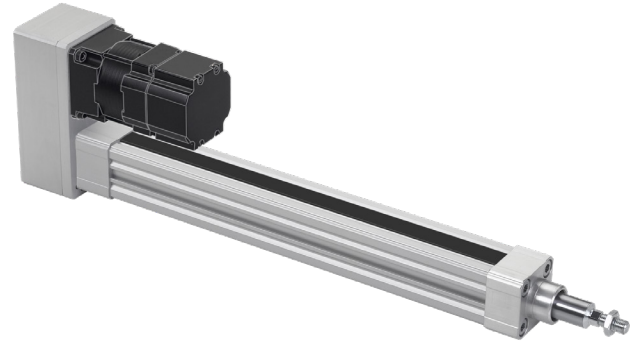


EC TO ECV COMPARISON

PHD ECV Cylinders are Direct Replacement

Kollmorgen EC Cylinders have been discontinued. PHD's Series ECV Electric Cylinders are a superior, direct replacement that matches the specifications of each EC application.

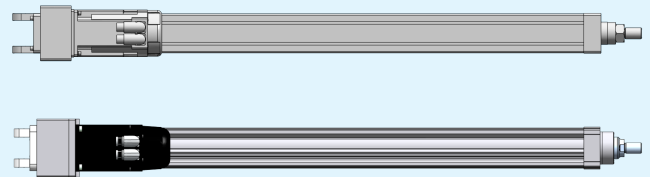
The Series ECV delivers greater speed and thrust than the Kollmorgen EC cylinder. The ECV also offers **Your Motor Your Way** which allows for the use of the same Kollmorgen motors providing easy conversion.



Key ECV Benefits

- Drop-in replacement
- Higher speeds and thrusts
- Ball screw and lead screw models
- **Your Motor Your Way**, can use the same motors
- Fully supported ball nut delivers greater velocities and eliminates vibration
- Available in non-rotating and rotating rod versions
- Higher performance and longer life

Overall Length Comparison



We Match!

ECV Delivers Superior Speed and Thrust Performance

COMPARISON CHART	Max Speed (mm/s)	Screw Diam. (mm)	Screw Lead (mm)	25 km Thrust Life ⁽¹⁾	
				(lbf)	(N)
EC1	330	10	3	150	667
PHD ECVA532	1000 ★	12	5, 10	345 ★	1535 ★
EC2	1270	16	5, 16	810	3604
PHD ECVA540	1600 ★	16	10, 16	1326 ★	5901 ★
EC3	1280	20	5, 10, 16	1620	7209
PHD ECVA550	2000 ★	20	10, 20	1916 ★	8526 ★
EC4	1330	25	10, 25	2700	12015
PHD ECVA580 (Light)	3200 ★	32	10, 32	5050 ★	22472 ★
EC5	1330	32	10, 32	5620	25009
PHD ECVA580 (Heavy)	3200 ★	32	10, 32	8000 ⁽²⁾ ★	35600 ⁽²⁾ ★

NOTES:

- 1) Current PHD catalog does not reflect 25 km thrust life
- 2) Ground ball screw design

For your direct replacement contact us.



© Copyright 2024, by PHD, Inc. All Rights Reserved. Printed in the U.S.A.

