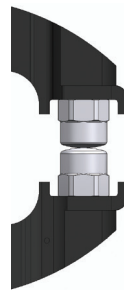
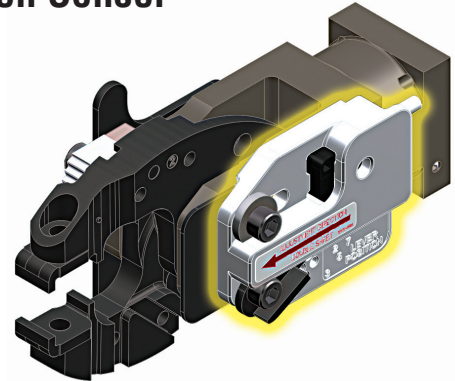


Did You Know?

Amazing, but true facts about PHD Clamp products

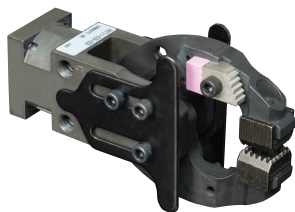
Error Proofing Made Easy with PHD's GRM Double Sheet Detection Sensor

- Error proofing to easily prevent double loading of parts (either manual or automatic feeding)
- Applications in White Goods manufacturing, various Body Shops, Assembly Cells, Weld Cells, etc. Not Automotive market specific
- Economical solution (vs. Vision Systems)
- Non-scratch "ball to ball" tip combination
- Primarily, but not limited to, "S" & "F" jaw styles are used in this solution.
- Used in End of Arm Tooling or mounted as part of a fixture
- When ordering this "ball to ball" tip solution on GRM2 "S" or "F" jaw styles, order the ball tips separately from the GRM clamp. Like PHD's other tips, the ball tips come in black, silver, and gold, depending on the material thickness.

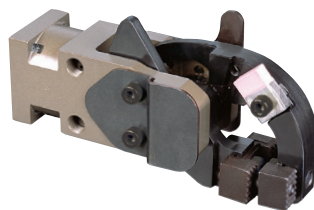


**Ball to Ball Tip
Combination
(TA009-TB009)**

Go to the GRM catalog
for more info

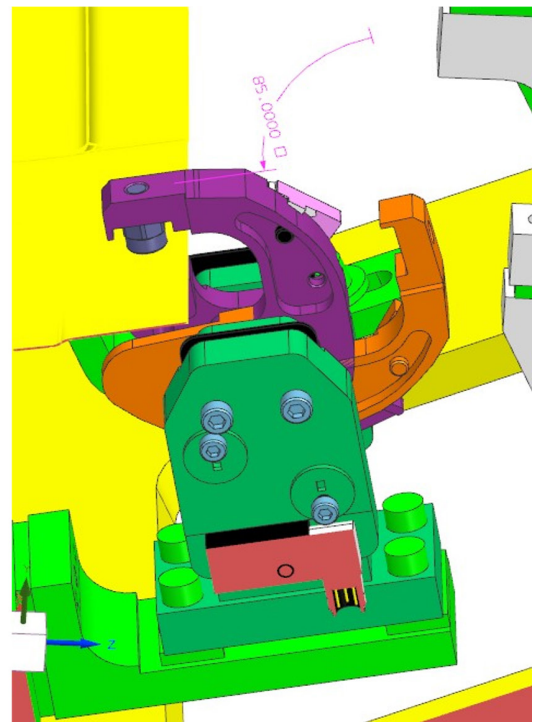
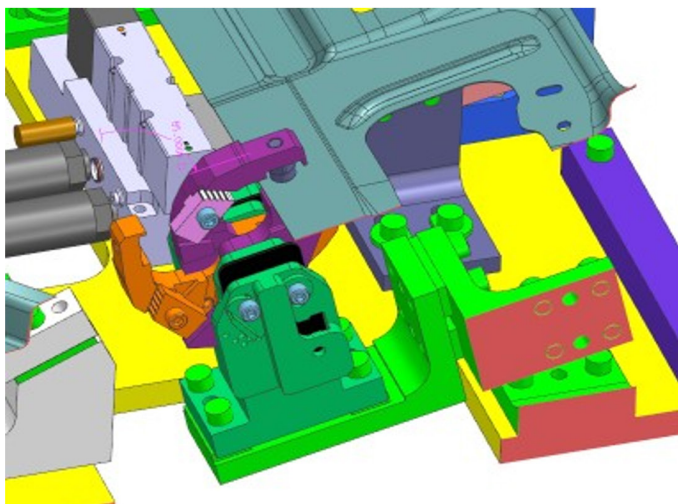


Standard Jaw Style "S"



Flange Jaw Style "F"

Model No. Shown: GRM2TF-6-85-00-B16-**D3D00**-PB1D1



© Copyright 2024, by PHD, Inc. All Rights Reserved. Printed in the U.S.A.

12/24 11839

DYK01



Member of the MAC
Distributor Network

phdinc.com

phd Empowering
Automation