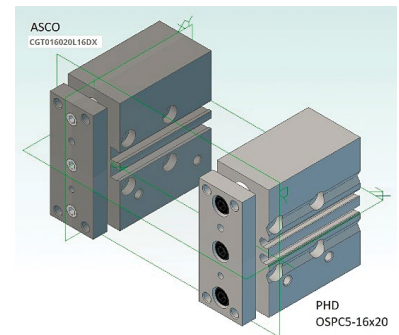
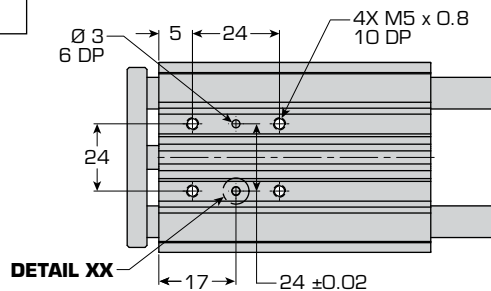
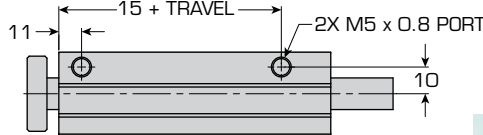
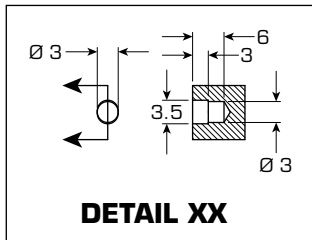
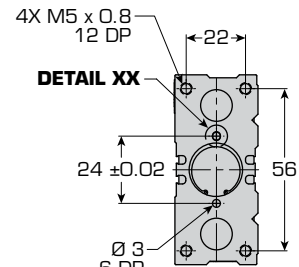
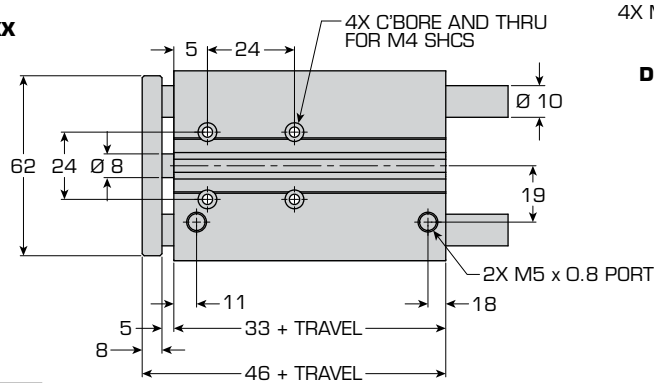
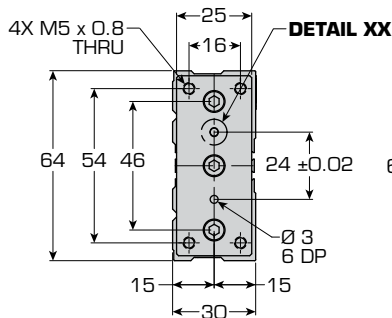




Universal & Matrix Preform Escapement OSPC5-16x20 | 'S' Style Spare Component

FEATURES & BENEFITS

- Port locations on top and side
- Standard shock pads reduce end of travel impact
- Magnets standard for switch sensing capability
- Anodized aluminum piston rod bushing and body with integrated switch grooves
- Steel tool plate, tool plate fasteners, and bore plug
- NBR rod and piston seals
- Stainless steel piston rod and bronze alloy slide bearings
- Drop-in replacement for OEM unit - ASCO CGT016020L16DX



All dimensions are reference only unless specifically toleranced. All dimensions are mm.

2/20 11150

© Copyright 2020, by PHD, Inc. All Rights Reserved. Printed in the U.S.A.

CPPREFORMESCAPEMENT



PHD is a member of the
MAC Distributor Network



www.phdinc.com