



Blow Molding Industry

Mold Base Cylinder

50 mm Bore x 80 mm Stroke | ML318643 & ML304151

COMMON BENEFITS

- Drop-in replacement for existing OEM-supplied mold base cylinder on small 'S' style model SBO Series1 machines allowing cylinder to mount into same space and bolt pattern of existing cylinder.



ML318643 Price Alternative

- Based on the Series OCV cylinder which provides a lower price alternative to ML304151



ML304151 Superior Performance

- Based on the superior design of the Series CV cylinder.
- High tensile strength, replaceable rod end significantly reduces cylinder rod end breakage.
- Incorporates a high strength replaceable rod stud.
- Repair kits are available for unit service when desired.
- Heavy duty cylinder built for long life.

(see reverse side)

© Copyright 2020, by PHD, Inc. All Rights Reserved. Printed in the U.S.A.

CPMOLDBASECYL



PHD is a member of the
MAC Distributor Network

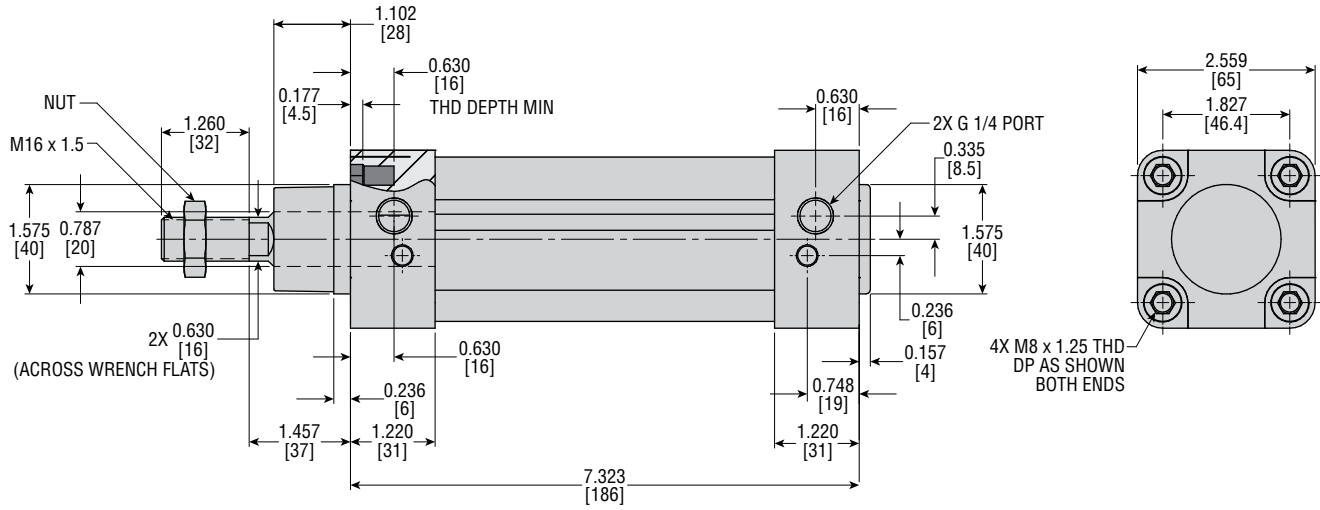


SOLUTIONS FOR INDUSTRIAL AUTOMATION

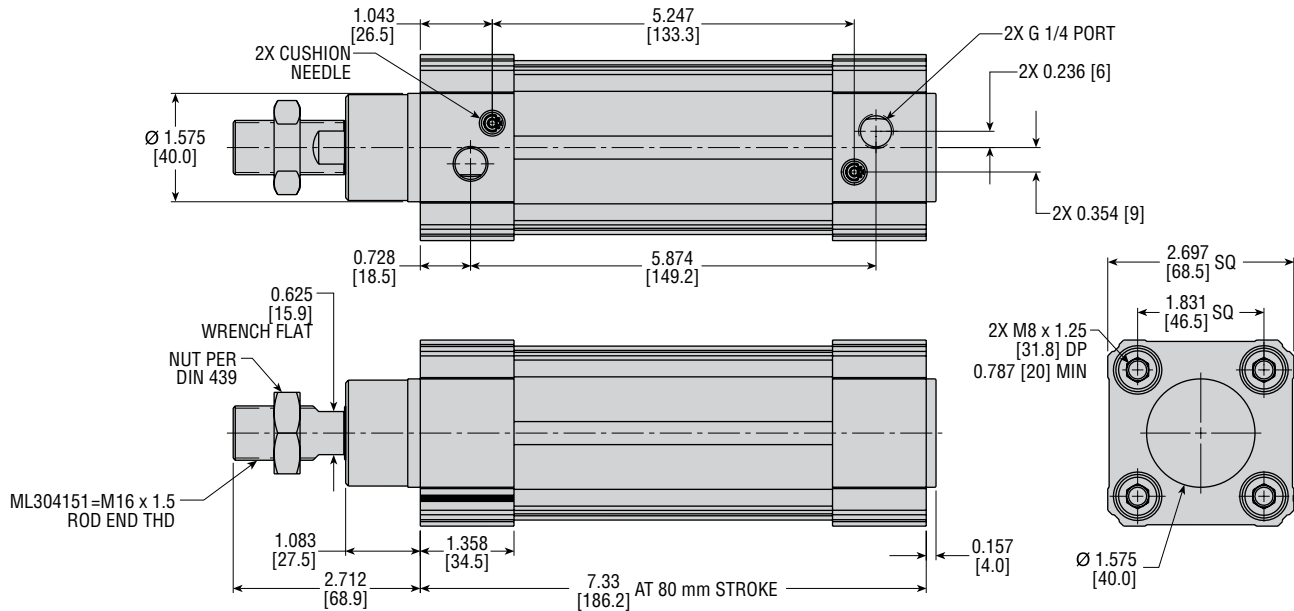
www.phdinc.com

DIMENSIONS: ML318643 & ML304151

ML318643



ML304151



All dimensions are reference only unless specifically tolerated.