



Slide Gate Replacement Cylinder

For Advanced Automation Co. Cylinder # B&J 120 x (STROKE) ETL

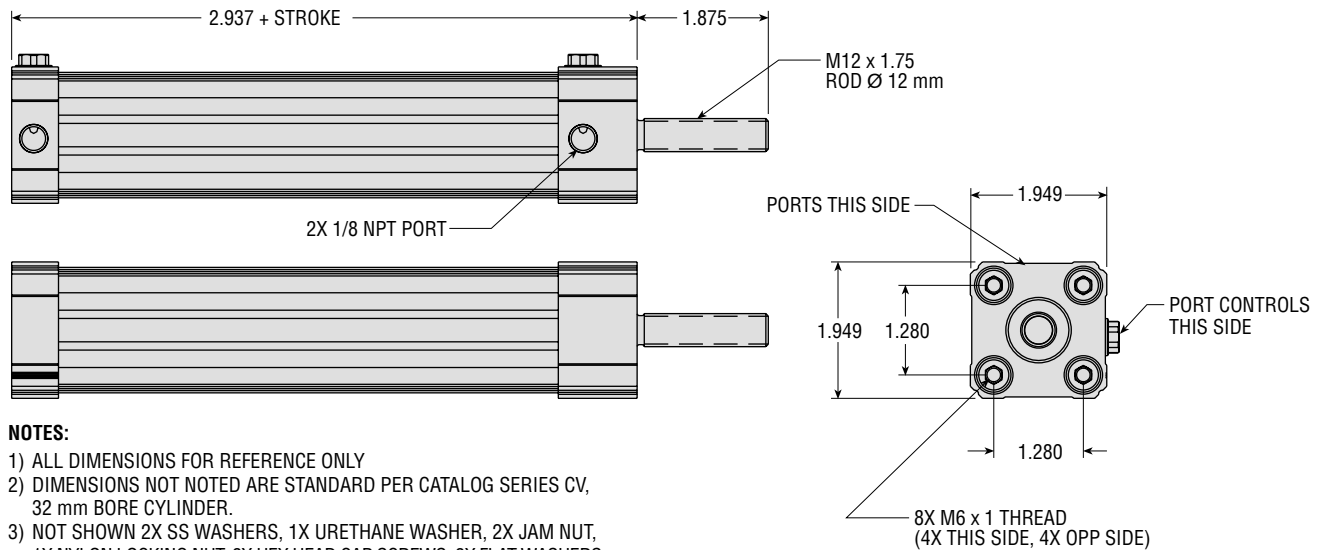
Provides Longer Life - Reduces Down Time

BENEFITS

- Direct drop-in to existing competitor's cylinder.
- Bore is 32 mm diameter
- Strokes designed are 6, 7, 8, 9, and 11 inches. Other strokes are available.
- All units include a fastener kit which contains all hardware for replacement.
- Incorporates a 12 mm oversized rod for durability.
- The units include PHD's "Hush Control" which provides smooth deceleration and quiet operation.
- Designed and manufactured by PHD, Inc. USA - Over 45 years of automation solutions experience.
- Local/Worldwide Sales, Service, and Support
- Other standard and custom products are available for your automation requirements.



DIMENSIONS

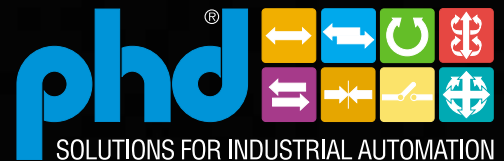


NOTES:

- 1) ALL DIMENSIONS FOR REFERENCE ONLY
- 2) DIMENSIONS NOT NOTED ARE STANDARD PER CATALOG SERIES CV, 32 mm BORE CYLINDER.
- 3) NOT SHOWN 2X SS WASHERS, 1X URETHANE WASHER, 2X JAM NUT, 1X NYLON LOCKING NUT, 8X HEX HEAD CAP SCREWS, 8X FLAT WASHERS, AND 8X STAR WASHERS

© Copyright 2004, by PHD, Inc.

CPCV01C



PHD, Inc. • P.O. Box 9070 • Fort Wayne, IN 46899 • (260) 747-6151 • FAX (260) 747-6754
www.phdinc.com • phdinfo@phdinc.com