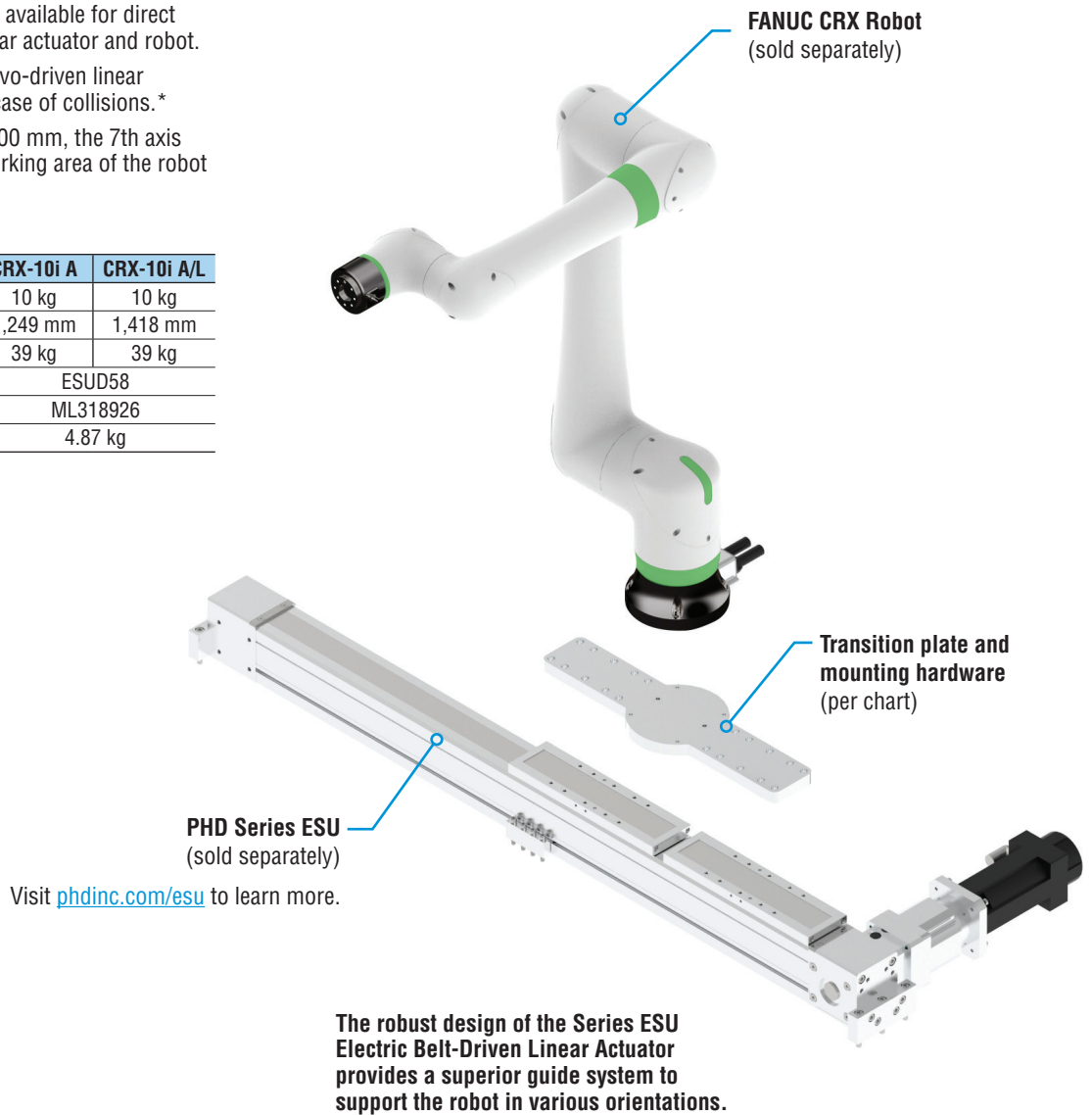


Modular 7th Axis Linear Actuator for Fanuc CRX Robots

Major Benefits

- Transition plates and hardware available for direct mounting between electric linear actuator and robot.
- Torque limiting features on servo-driven linear actuator can provide faults in case of collisions.*
- With a maximum stroke of 5,500 mm, the 7th axis linear actuator can multiply working area of the robot tenfold.

FANUC ROBOTS	CRX-10i A	CRX-10i A/L
MAXIMUM PAYLOAD	10 kg	10 kg
REACH	1,249 mm	1,418 mm
ROBOT WEIGHT	39 kg	39 kg
RECOMMENDED 7th AXIS**	ESUD58	
TRANSITION PLATE	ML318926	
PLATE WEIGHT	4.87 kg	



*Series ESU Electric Linear Actuators are not collaborative rated from PHD. Customer assumes the responsibility of risk assessment.

**Recommended linear actuator selected for maximum payload and reach of robot. Contact PHD Applications Engineering for other combinations.



CUSTOM SOLUTIONS: Modular 7th Axis Linear Actuator for FANUC CRX Robots

