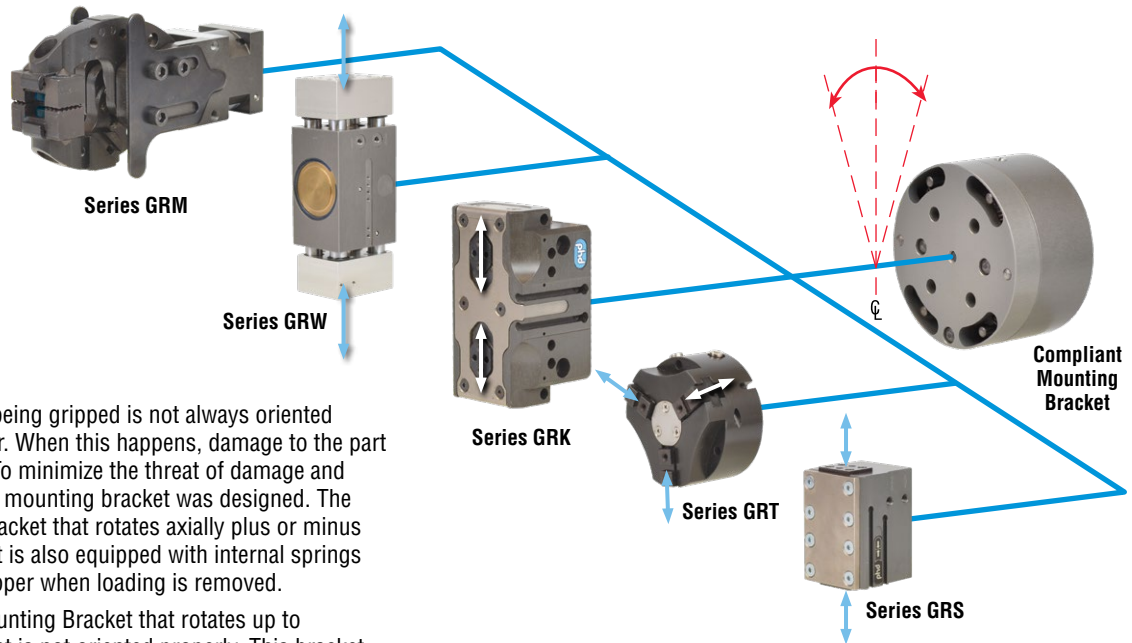




Compliant Mounting Bracket

Part # 77285-05



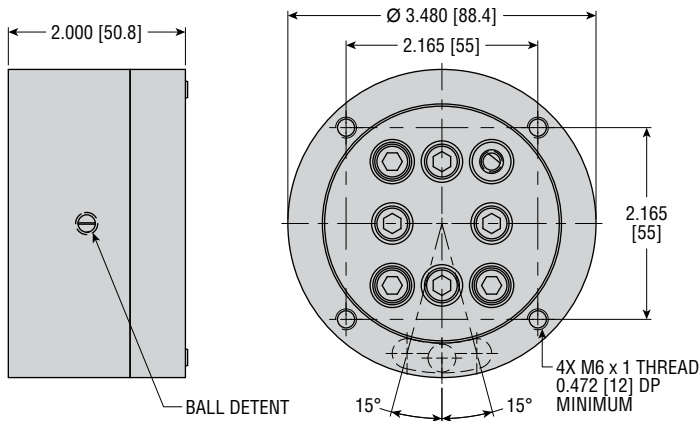
Occasionally, the part being gripped is not always oriented properly to the actuator. When this happens, damage to the part or tooling may occur. To minimize the threat of damage and downtime, a compliant mounting bracket was designed. The result is a mounting bracket that rotates axially plus or minus 8 degrees. This bracket is also equipped with internal springs that self-center the gripper when loading is removed.

Radially Compliant Mounting Bracket that rotates up to $\pm 15^\circ$ to grip a panel that is not oriented properly. This bracket then self-centers itself after releasing the part.

- Load must be centered.
- Can be oriented in vertical or horizontal applications.
- Consult PHD Unlimited® with your application requirements.
- Springs must be sized for each application to receive the best performance.

SPECIFICATIONS	PART #77285-05
TORQUE REQUIRED TO ROTATE BRACKET	0 + Force of Detent Pin
ESTIMATED TORQUE AT 7.5° ROTATION	5.25 in-lb
ESTIMATED TORQUE AT 15° ROTATION	9.5 in-lb

Please contact PHD for additional sizes.



Shown with PHD Series GRM Clamp. Other PHD products can be used with this mounting bracket, such as grippers.

All dimensions are reference only unless specifically tolerated.

© Copyright 2019, by PHD, Inc. All Rights Reserved. Printed in the U.S.A.

10/19 11040

CP77285-05



PHD is a member of the MAC Distributor Network



www.phdinc.com