

ML320145 Heavy Duty Cylinder

Major Benefits

- High force pneumatic cylinder to hold 300 lb part
- Internal cylinder rotates freely for robot-controlled part reorientation
- Outside cylinder shell is held in position by pin for securing air lines
- Bolts to ABB IRB 6440 robot via customer supplied transition plate
- Internal spring on extend mechanically locks when hooked on part or if air pressure is lost

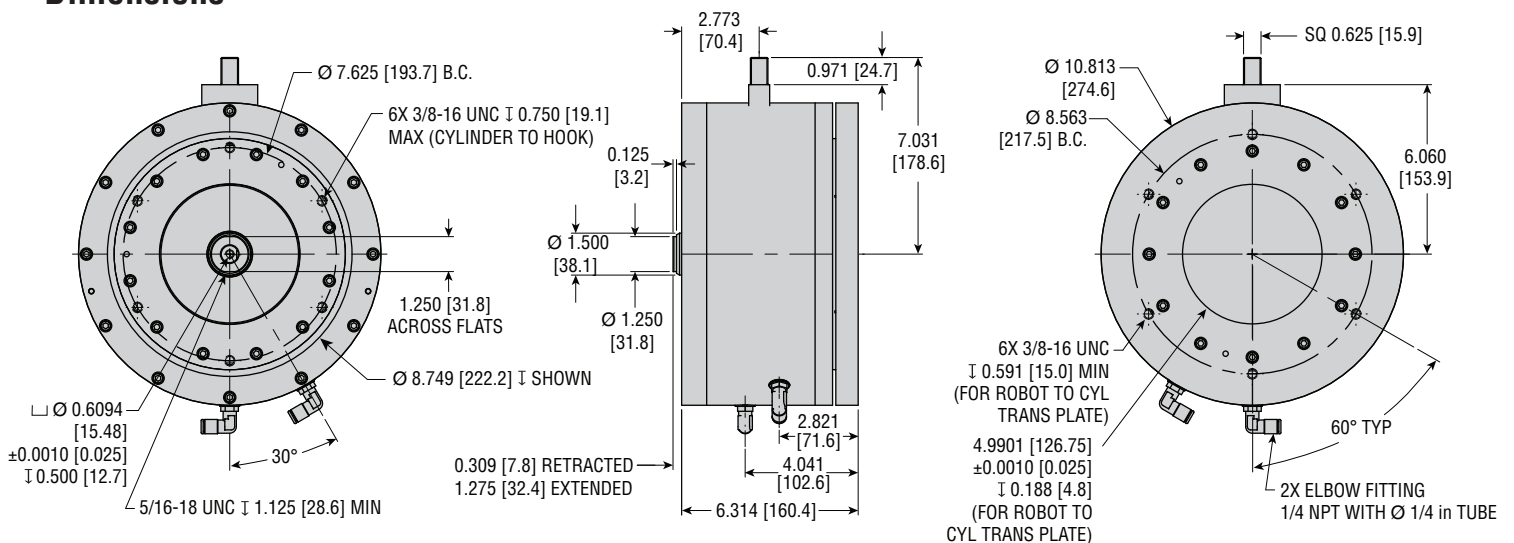
Application

Heavy duty cylinder ML320145, with customer supplied tooling, is used to hook onto cast parts and transfer them from a conveyor line to a rinse line or slurry coating line and back. The cylinder's robust internal bearing design allows for it to be rotated, pivoted, and moved to different positions via the robot arm. This allows for excess rinse or slurry to be removed. The outer shell is fixed from rotating via a locking pin to hold the airlines in one position as the hook is rotated.



SPECIFICATIONS	ML320145
BORE SIZE	6.5 in [165.1 mm]
STROKE	0.966 in [24.5 mm]
ROTATIONAL TORQUE	150 ft/lb [1800 kg] ± 10 ft/lb [54.4 kg]
SPRING FORCE	300 lb [158.8 kg]
CYLINDER WEIGHT	100 + lb [45.3592 kg]

Dimensions



All dimensions are reference only unless specifically tolerated.

