

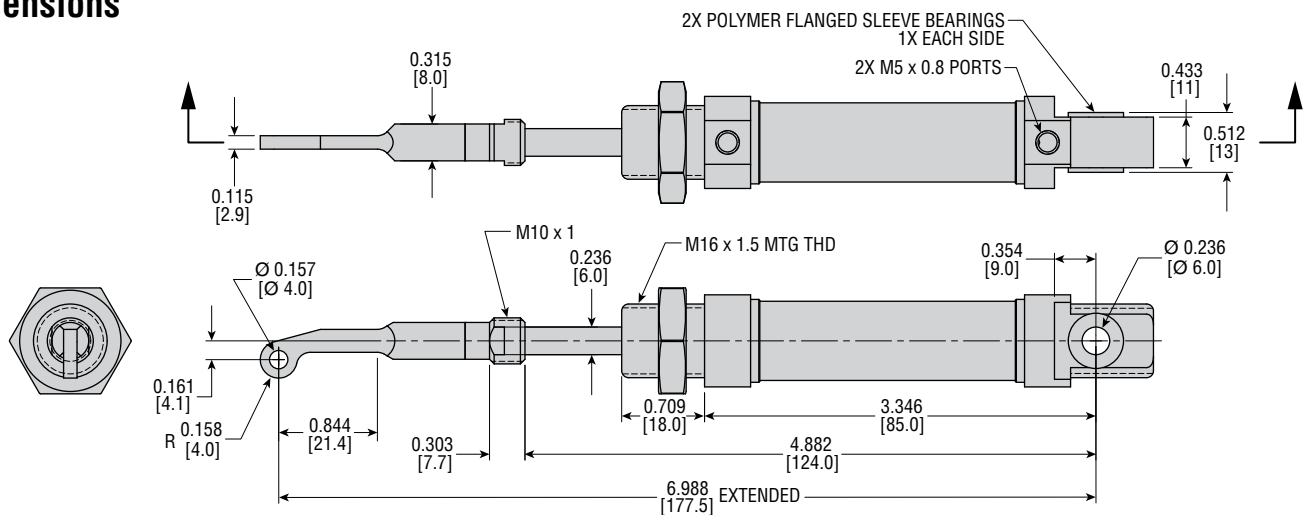
ML319584 Heuft® Delta-K Multi-Segment Rejector Cylinder

Major Benefits

- Soft eject used to keep bottle upright as not to spill or break container
- Drop-in replacement for OEM cylinder 16 mm x 25 mm cylinder
- Superior design, seals, and bushings for longer life
- Stainless steel tube
- Aluminum head and cap with polymer pivot bushing in cap
- Includes rod eye
- Up to 16 cylinders per machine
- < 30 mSec cycle time
- Up to 72,000 containers an hour



Dimensions



- NOTES:**
- 1) 16 mm BORE
 - 2) 25 mm CYLINDER TRAVEL WITHOUT ROD EYE. TRAVEL IS LIMITED TO APPROX 22 mm WITH ROD EYE.
 - 3) CYLINDER IS SHOWN IN EXTENDED POSITION

