

CUSTOM SOLUTIONS

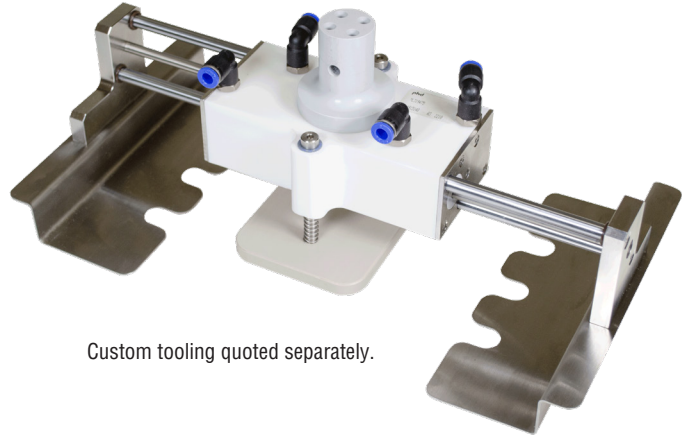
ML319475 Food Transfer Gripper

Major Benefits

- Washdown and food grade ready
- FDA approved plastic and stainless steel construction
- Long travel jaws acts as a spatula to fully support thin or delicate loads
- Lightweight solution
- Other travels available

Applications to Consider

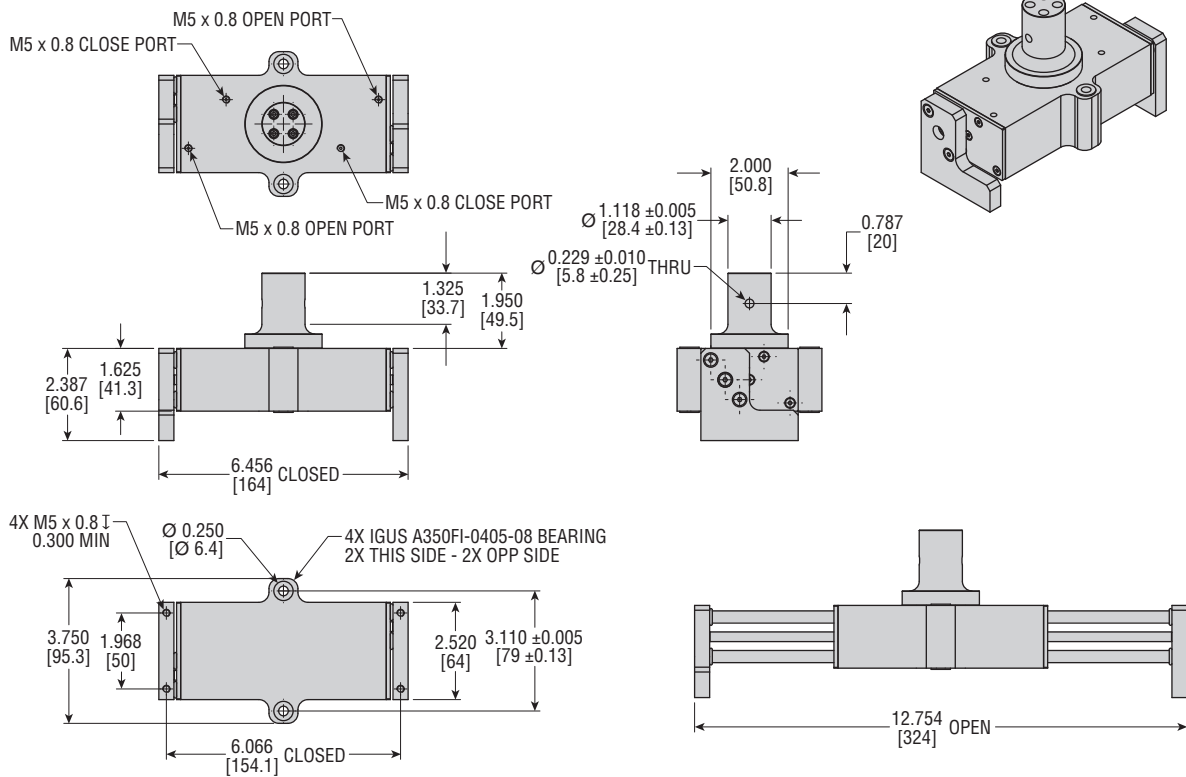
- Transferring sliced meats or vegetables
- Building layers
- Sandwich assembly
- Conveyor picking



Custom tooling quoted separately.

SPECIFICATIONS	ML319475
STROKE	6.298 in [160 mm]
BORE SIZE	Dual 16 mm Bore
WEIGHT	2.77 lb [1.25 kg]
OPEN SPEED	0.065 sec
CLOSE SPEED	0.065 sec
AIR PRESSURE	100 psi [6.9 bar]

Dimensions



© Copyright 2024, by PHD, Inc. All Rights Reserved. Printed in the U.S.A.

11/24 11822