

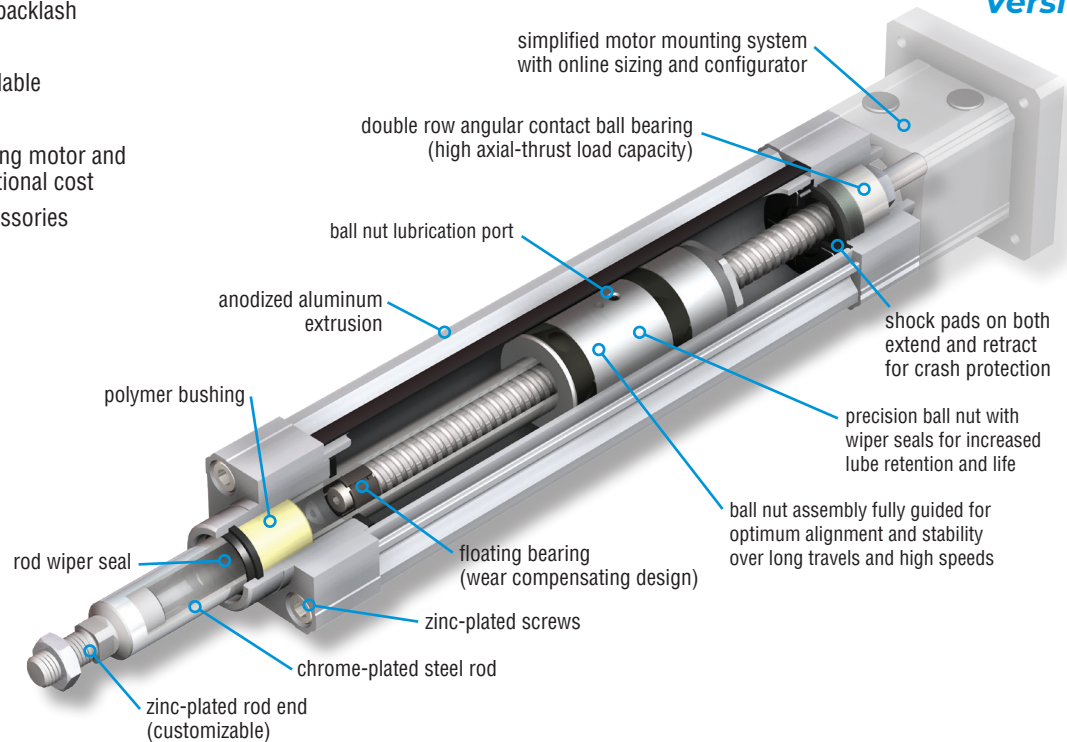
ML318888 80 mm Ball Screw Electric Cylinder

Major Benefits

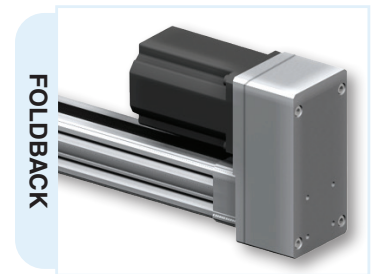
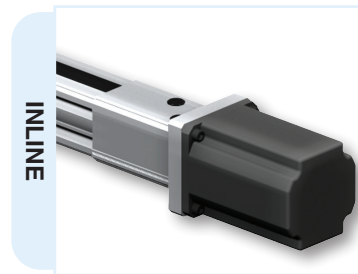
- High thrust and speed capability
- Precision screw assemblies with long service life
- Rigid construction with low backlash
- High degree of repeatability
- 1500 mm travel lengths available
- IP54 ingress protection
- Your Motor, Your Way allowing motor and controls flexibility at no additional cost
- Large choice of options/accessories

Optimal design provides superior speeds, thrust, and travel lengths.

Ball Screw Version



SPECIFICATIONS	SIZE	
	80 mm	
DRIVE MECHANISM	Ball Screw	
MAXIMUM TRAVEL	1000 mm [39.37 in]	
SCREW DIAMETER	32 mm	
SCREW CONFIGURATION	-RB010	-RB032
SCREW LEAD	10 mm	32 in
MAXIMUM SPEED	1000 mm/sec [39 in/sec]	3200 mm/sec [126 in/sec]
MAXIMUM RPM	6000 rev/min	
MAXIMUM THRUST	10210 N [2297 lbf]	5478 N [1233 lbf]
PERMISSIBLE DRIVE TORQUE	16.3 Nm [144.2 in-lb]	31.0 Nm [274.3 in-lb]
NO-LOAD TORQUE	1.50 Nm [13.27 in-lb]	

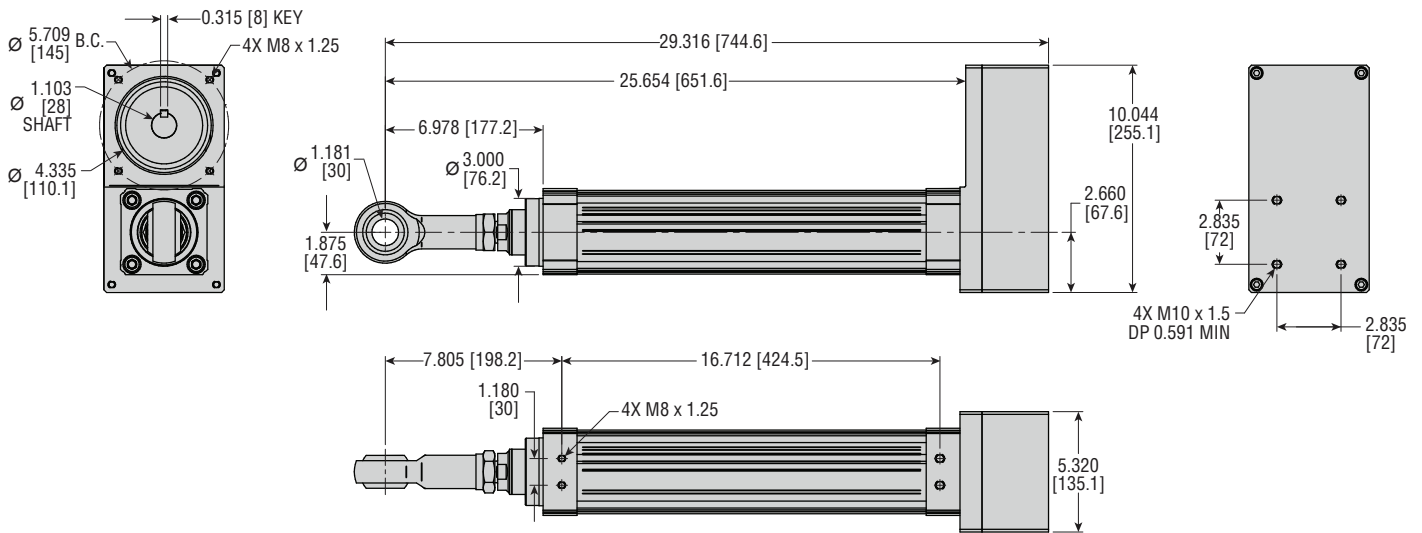


Choice of Inline or Foldback Motor Mounting

Foldback available in 1:1 or 2:1 drive for tailored performance.



CUSTOM SOLUTIONS: ML318888 80 mm Ball Screw Electric Cylinder



**Unit shown with 200 mm of travel.*

All dimensions are reference only unless specifically toleranced.