



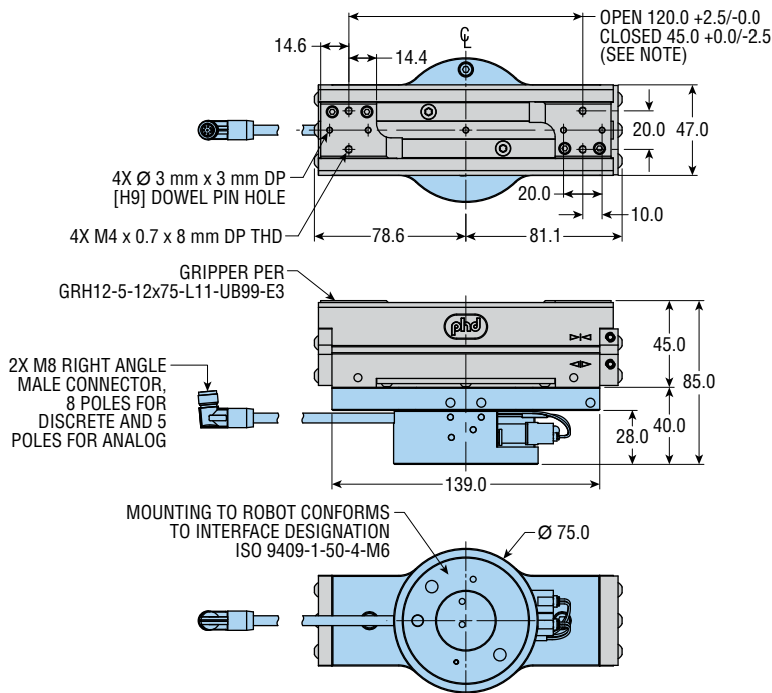
Robotic Solution

Pneu-Connect for Omron Techman

ML#318366 | Two Discrete & One Analog Switch on Series GRH

BENEFITS

- Two standard PneuConnects in one by merging GRH discrete (89387-01-012-0001) with GRH analog (89387-03-012-0001)
- Designed to work specifically for Omron Techman collaborative robots
- Utilization of both discrete switches and analog sensor on same gripper provides input to robot to have additional jobs setup or one discrete switch can be used as home calibration point.
- Provide seamless, cost-effective, pneumatic end-effector integration
- Incorporated MAC[®] valves
- Safety circuit design allows gripper to release pressure during power loss
- Weights approximately 2.9 lbs
- Available as X2 dual GRH (89921-0202-1212-0001) with both analog and discrete through PHD Unlimited quote



OPEN REFLECTS SMALLEST POSSIBLE OPEN DIMENSION
 CLOSED REFLECTS LARGEST POSSIBLE CLOSED DIMENSION
 ALL DIMENSIONS ARE REFERENCE ONLY UNLESS SPECIFICALLY TOLERANCED.



Robot and Click & Grip modular tooling sold separately

© Copyright 2020, by PHD, Inc. All Rights Reserved. Printed in the U.S.A.

10/20 11326

CP318366



SOLUTIONS FOR INDUSTRIAL AUTOMATION

PHD is a member of the MAC Distributor Network

www.phdinc.com