

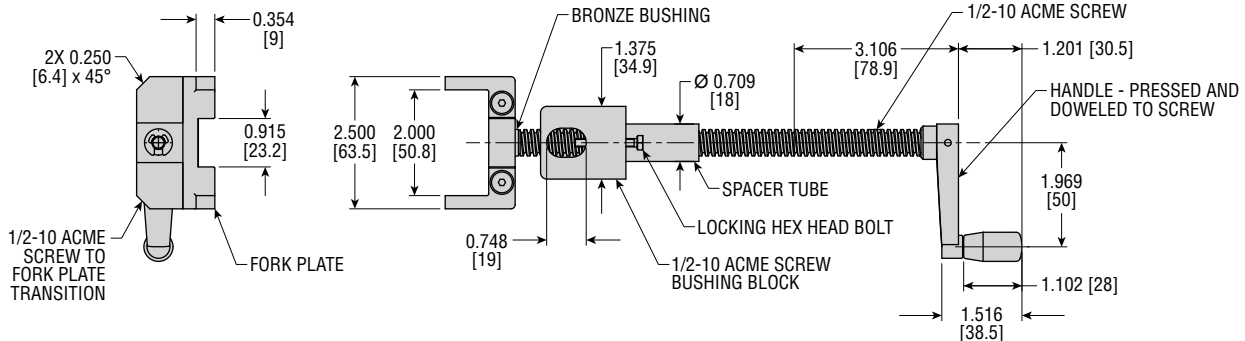
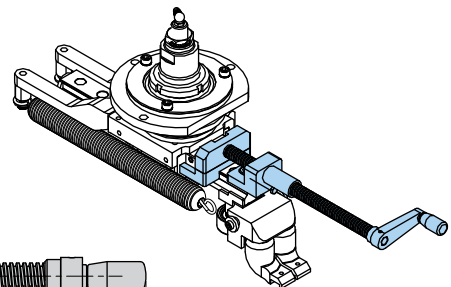
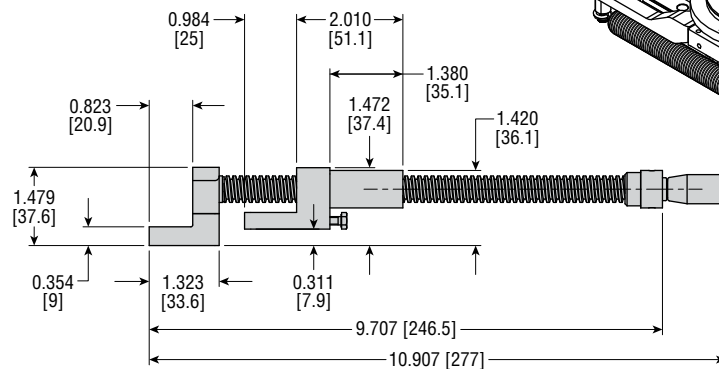
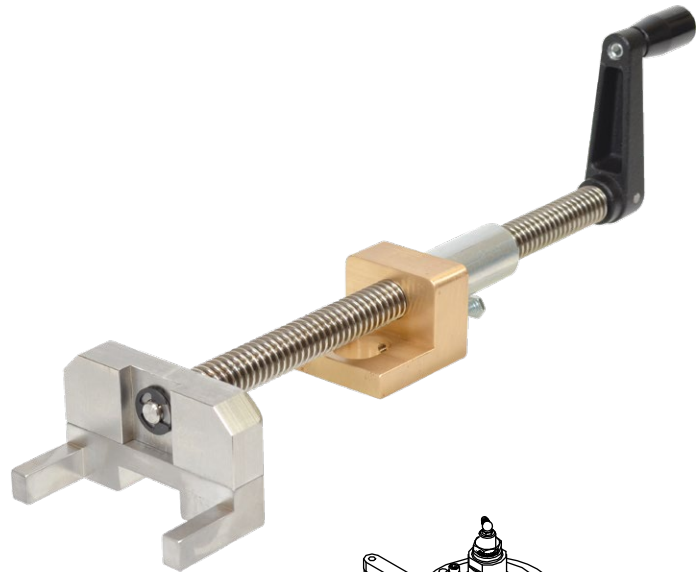


Matrix Arm Extracting Tool

ML#317895 | 'S' Style Spare Component

BENEFITS

- SBO24 Matrix transfer arm extraction jig (used with PHD SBO24 Matrix transfer arm)
- ACME 1/2"-10 threaded adjustment shaft
- Unit comes with a crank handle cross pinned to the ACME threaded shaft
- Arm comes with a stainless steel fork and drive block attached to ACME threaded shaft
- Bronze bushing in stainless steel drive block



All dimensions are reference only unless specifically tolerated.

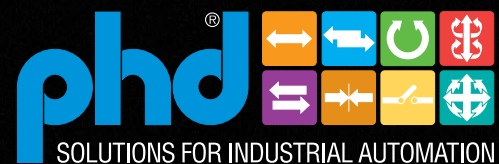
© Copyright 2020, by PHD, Inc. All Rights Reserved. Printed in the U.S.A.

1/20 11068

CP317895



PHD is a member of the MAC Distributor Network



www.phdinc.com