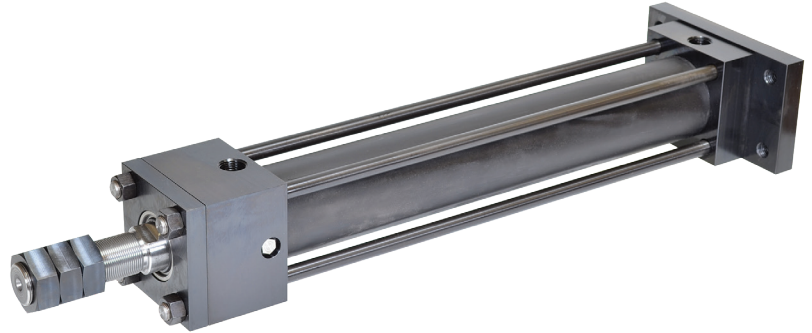


## ML317781 Cylinder for Blow Mold Machine

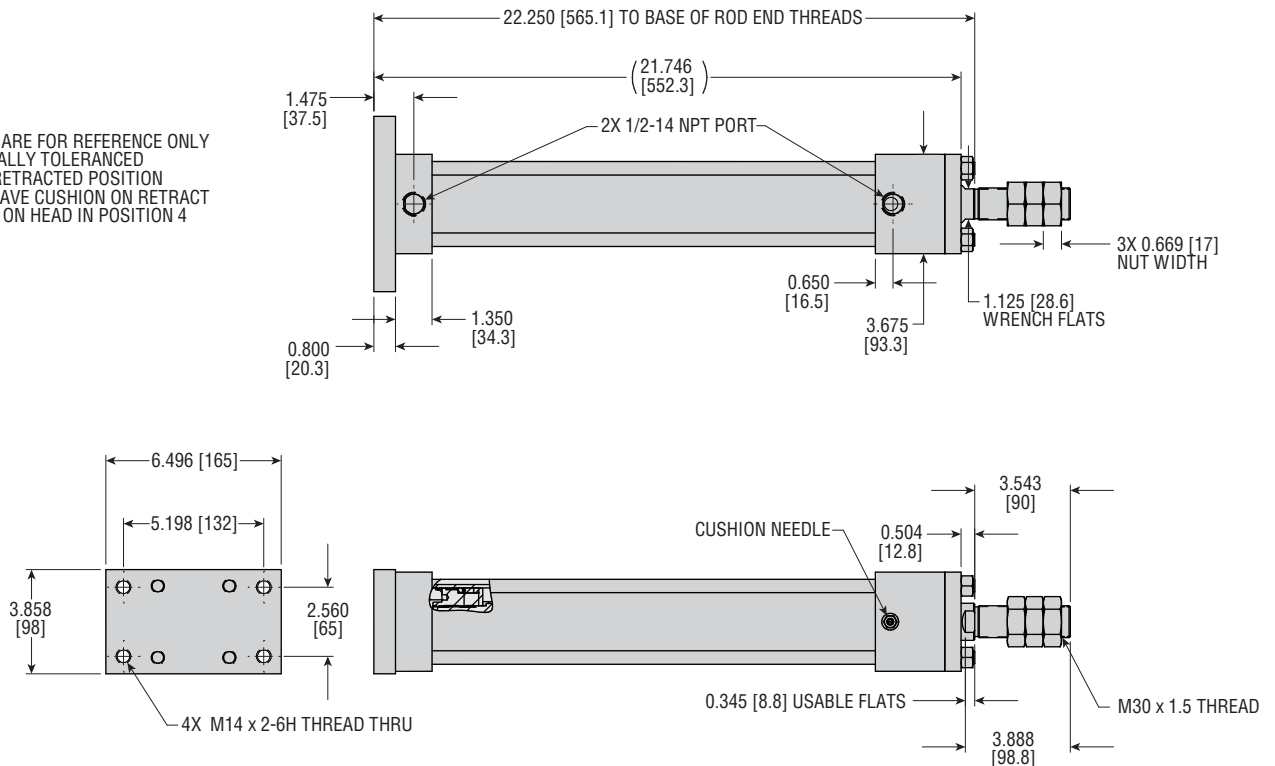
### Major Benefits

- Drop in replacement for:
  - Machine:** Nissei ASB 70DPW series 3
  - Section:** V90 mold lift
  - OEM Cylinder:** CJT140-FF63B360R-ABD-EK
- 2-1/2" bore
- 14.173" [360 mm] stroke
- Rated to 7000 psi hydraulic
- Rated to 275°F [135°C]
- Designed to provide longer life and reduced downtime for optimal return on investment
- Seals engineered to handle excessive pressure spikes



#### NOTES:

- 1) ALL DIMENSIONS ARE FOR REFERENCE ONLY UNLESS SPECIFICALLY TOLERANCED
- 2) UNIT SHOWN IN RETRACTED POSITION
- 3) UNIT DOES NOT HAVE CUSHION ON RETRACT
- 4) CUSHION NEEDLE ON HEAD IN POSITION 4



All dimensions are reference only unless specifically toleranced.

