



Blow Molding Industry

Articulated Transfer Arm

'S' Style Series2 Direct Component | ML317485

BENEFITS

- Threaded vertical height adjustment eliminates need for shim pack, which greatly reduces setup adjustment time (-AP option).
- Linear rail and carriage bearing has been increased in size and upgraded to roller bearing style assembly.
- Base, shaft, and pivot incorporated into one piece weldment.
- Head is designed with large radial bearings for increased rigidity and long life.
- Hardened replaceable jaw stop for ease of repair and cost considerations.
- Jaw and retract springs manufactured specifically for PHD, providing greater life.
- All spring return pins hardened and replaceable for ease of repair and cost considerations.
- Unit is designed to operate over 20 million cycles.

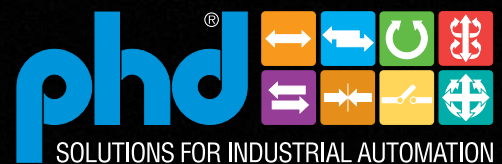


© Copyright 2019, by PHD, Inc. All Rights Reserved. Printed in the U.S.A.

CP317485

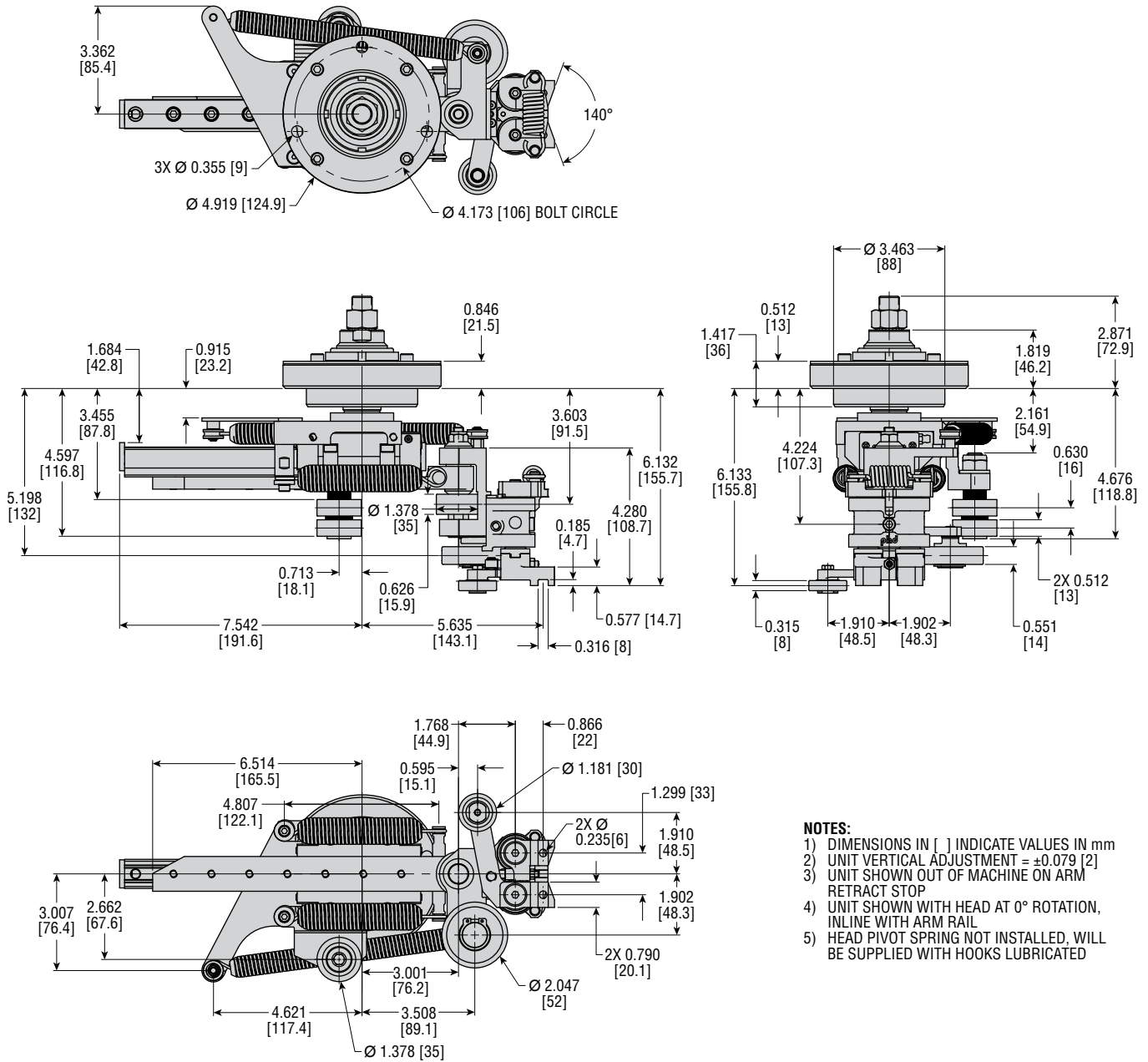


PHD is a member of the
MAC Distributor Network



www.phdinc.com

DIMENSIONS: ML317485



All dimensions are reference only unless specifically toleranced.