



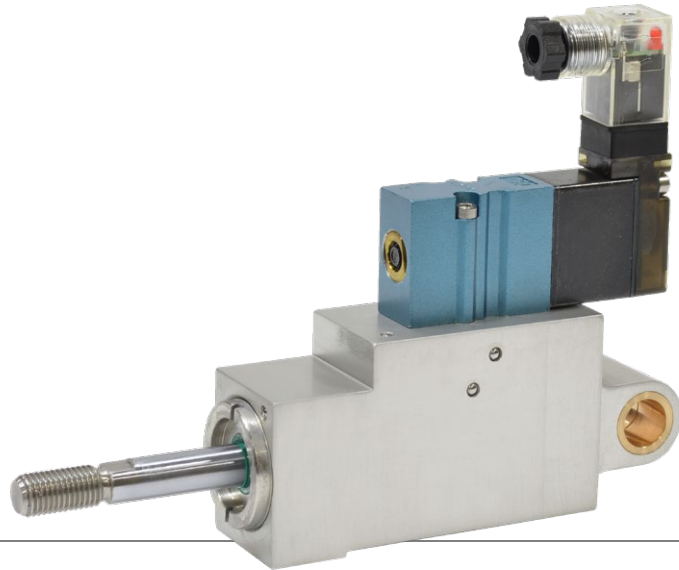
Blow Molding Industry

Preform and Bottle Eject Slides

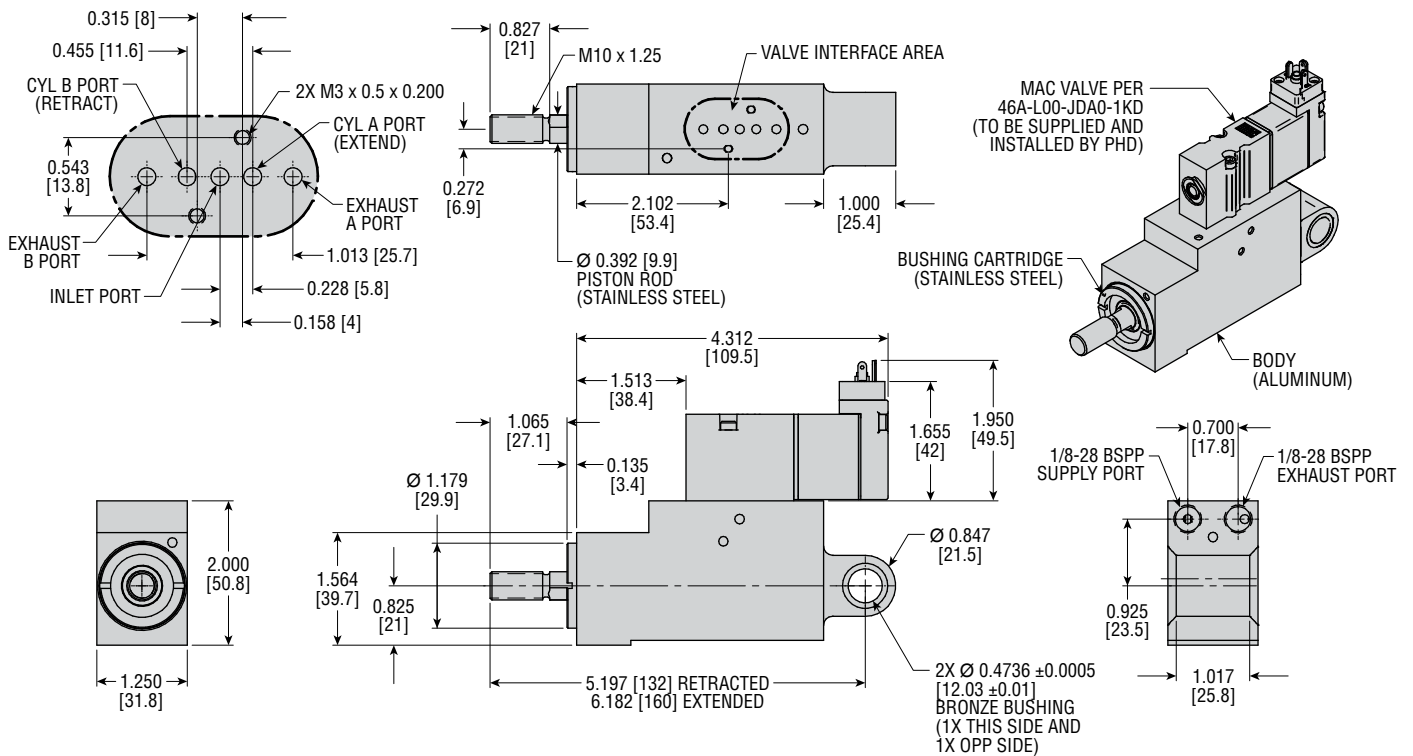
ML317407 & ML317408 | 'K' Style C3 Spare Components

BENEFITS

- Provides rapid repeatable ejection function due to MAC valve design and PHD cylinder.
- High kinetic energy capacity
- Provides faster delivery times than OEM product
- Intended for high speed part rejection
- Unit comes with 25 mm bore x 25 mm stroke



DIMENSIONS: ML317407



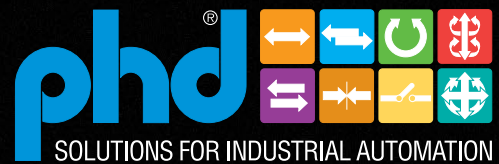
All dimensions are reference only unless specifically tolerated.

© Copyright 2019, by PHD, Inc. All Rights Reserved. Printed in the U.S.A.

CP317407-8

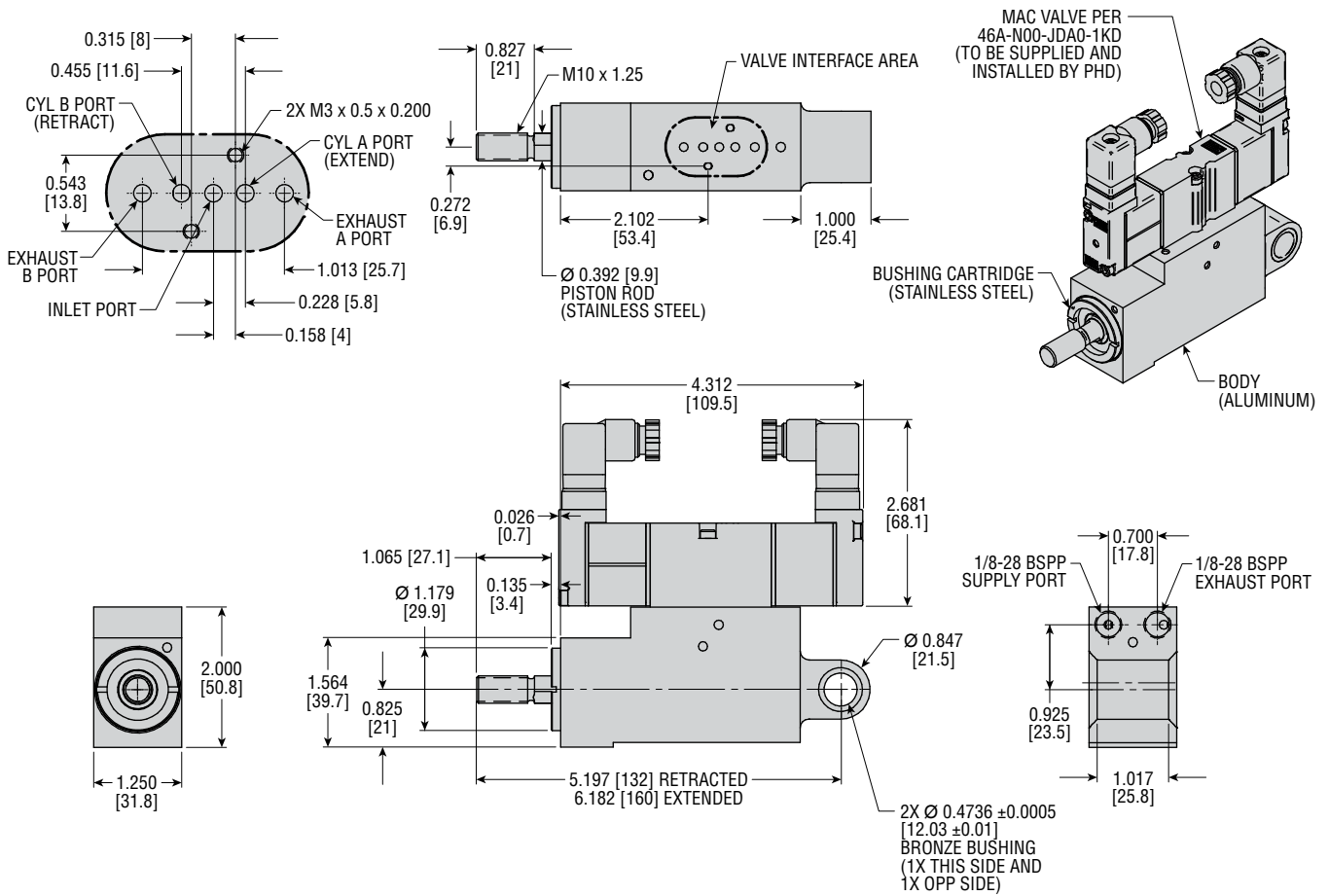
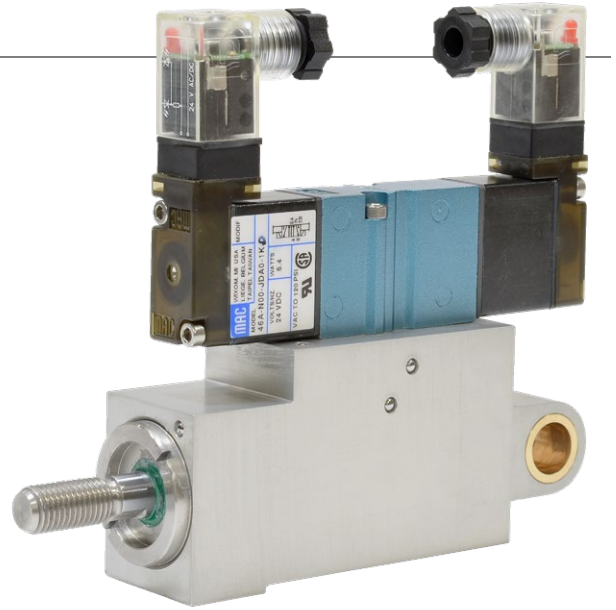


PHD is a member of the MAC Distributor Network



www.phdinc.com

DIMENSIONS: ML317408



All dimensions are reference only unless specifically tolerated.