



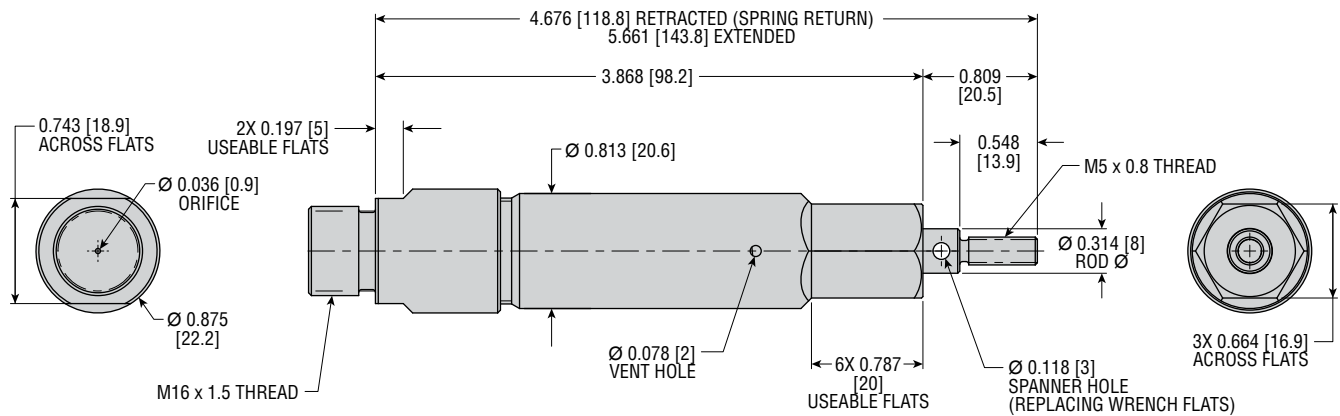
Injection Molding Industry

Husky Preform Eject Cylinder

ML#317394

BENEFITS

- Drop-in replacement preform eject cylinder for Husky machines
- Cylinder has 16 mm bore with 25 mm stroke
- One piece stainless steel piston and rod
- Specially engineered spring for longer life
- Aluminum hard anodized one piece body and cap
- Thru hole in piston rod instead of wrench flats
- Cylinder is field repairable
- No rod bushing, stainless steel rod on hard anodized body



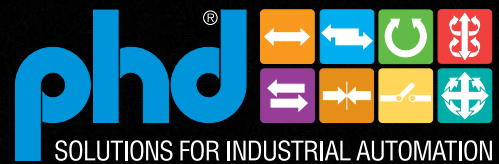
All dimensions are reference only unless specifically tolerated.

© Copyright 2020, by PHD, Inc. All Rights Reserved. Printed in the U.S.A.

1/20 10894
CP317394



PHD is a member of the
MAC Distributor Network



www.phdinc.com