

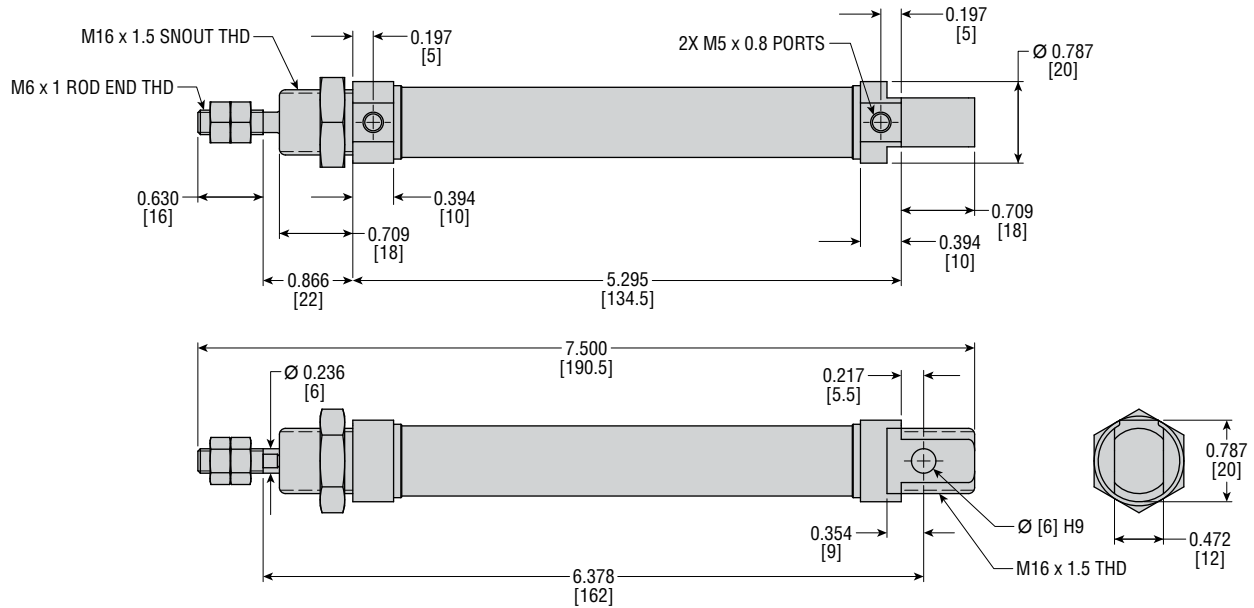


Graham Wheel Knockout Cylinder

ML#317266

BENEFITS

- Drop-in replacement: Identical mounting pattern for standard Graham Wheel knockout rod and spring assembly
- Direct replacement for the previous OEM-supplied: BIMBA E-16-80-U
- 16 mm bore x 80 mm stroke round body cylinder
- Piston rod provides superior sealing performance
- Provides significantly longer life and reduces maintenance and downtime
- Faster Cycles: Increased retract speed due to optimized return air volume requirement
- This application is mold specific. Bore and stroke may vary. Please quote accordingly.

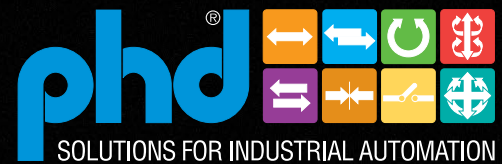


All dimensions are reference only unless specifically tolerated.

7/20 11163

© Copyright 2020, by PHD, Inc. All Rights Reserved. Printed in the U.S.A.

CP317266



PHD is a member of the
MAC Distributor Network

www.phdinc.com