



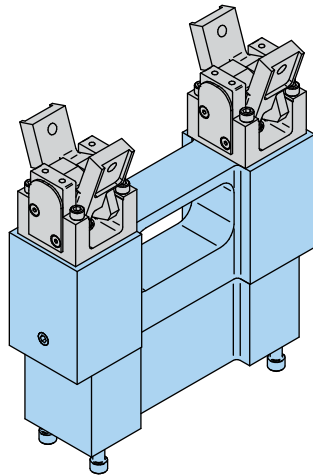
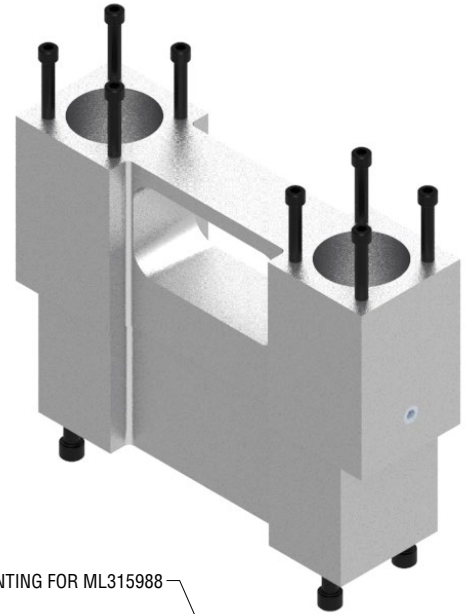
Glass Industry

Glass Tong Head Holder

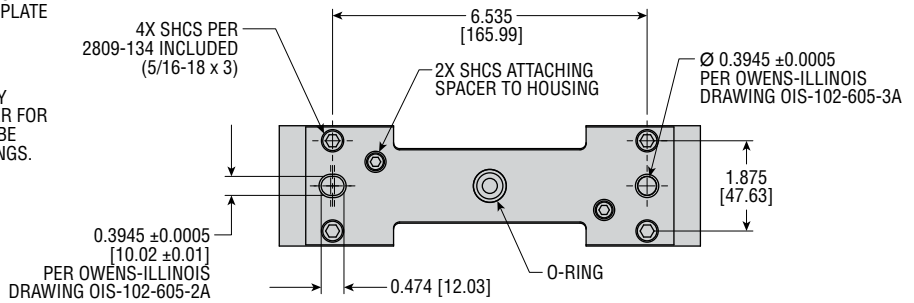
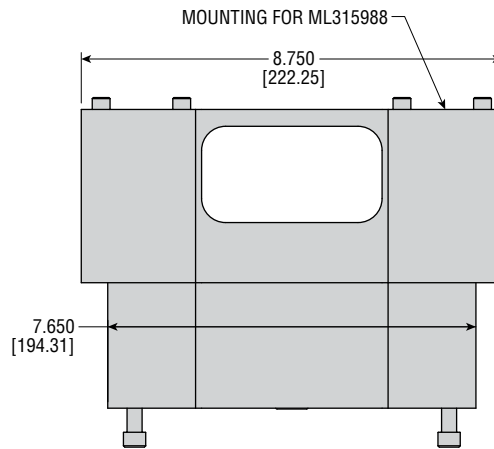
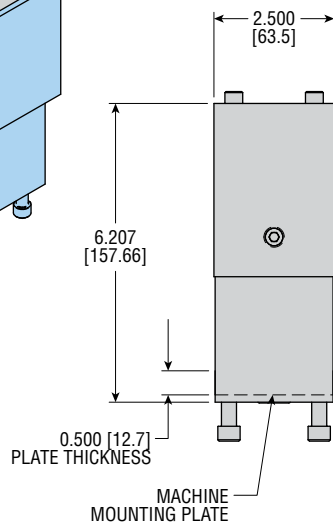
ML#317057

BENEFITS

- Aluminum housing and spacer for lighter weight
- Used on Emhart Machines
- Drop-in replacement
- Spacer block to use with multiple length tooling
- Designed to work with PHD GGA Glass Tong Heads (ML315988)



Shown with two GGA Glass Tong Heads (ML315988)



FOR PROTOTYPE, BUSHING GEOMETRY MACHINED IN SPACER ONLY. ON ORDER FOR "STANDARD" UNIT THE SPACER WILL BE UPDATED TO HAVE HOLES FOR BUSHINGS.

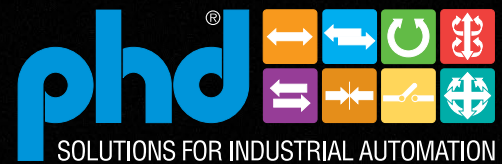
SPACER INFO:
MATERIAL: 6061 ALUMINUM
ESTIMATED TOTAL WEIGHT: 8.3 lbs

All dimensions are reference only unless specifically tolerated.

© Copyright 2019, by PHD, Inc. All Rights Reserved. Printed in the U.S.A.

11/19 11082

CP317057



PHD is a member of the MAC Distributor Network

www.phdinc.com