

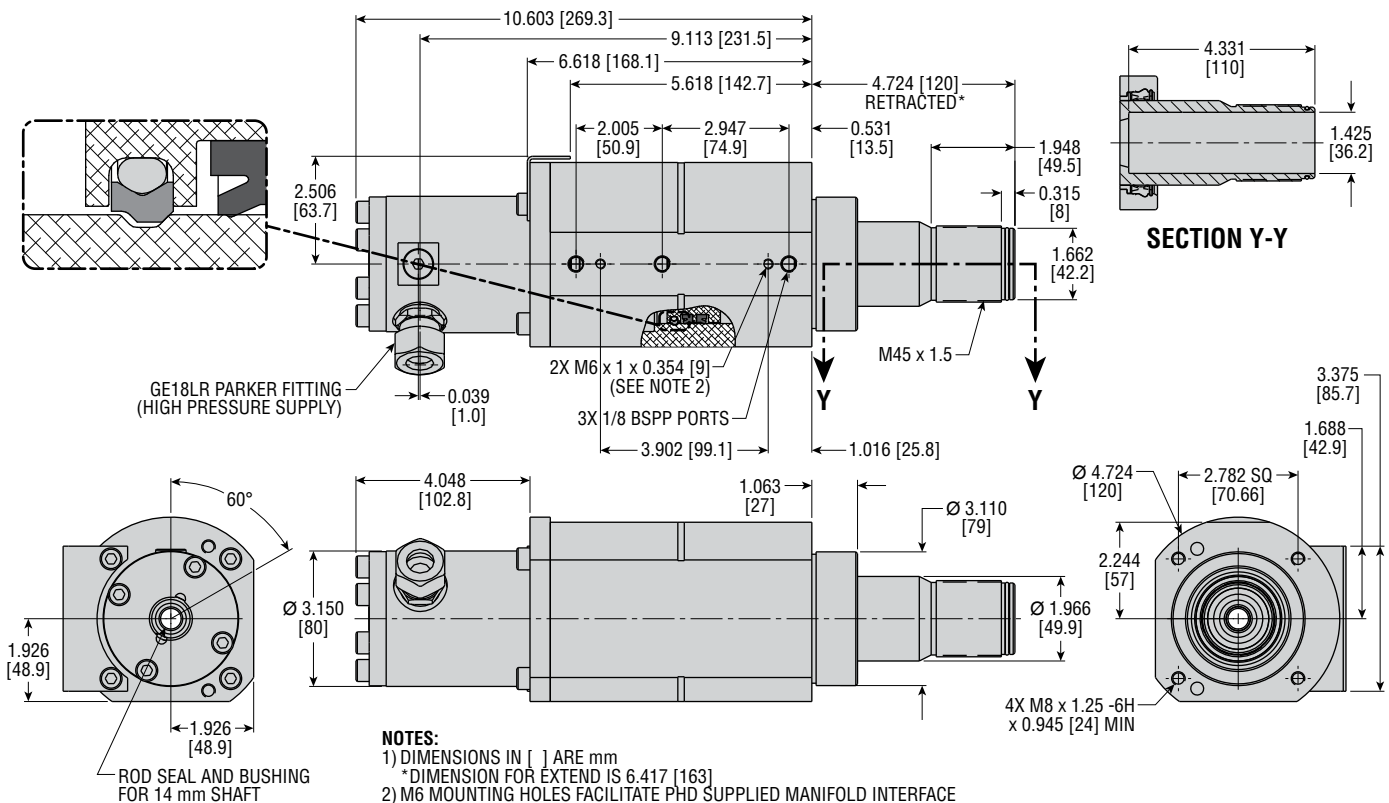
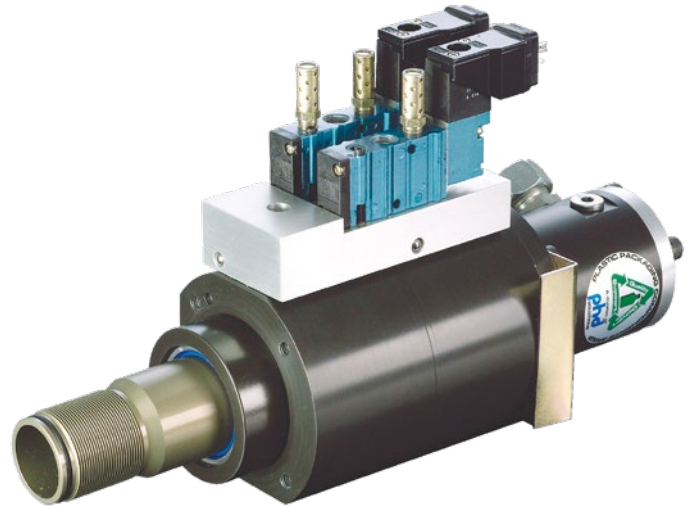


HR Nozzle Cylinder with Detent

ML#316626 | 'S' Style Series2 Spare Components

BENEFITS

- PHD Cylinder mounts into the same space and bolt patterns.
- Provides significantly longer life and reduces maintenance and downtime.
- Internal detent to keep unit in the retract position with loss of air pressure and during service reducing chance of damaged transfer arms.
- Internal shock pads are standard, eliminating metal to metal contact.
- Cylinders are easily field repairable, maximizing your investment.



All dimensions are reference only unless specifically tolerated.

© Copyright 2019, by PHD, Inc. All Rights Reserved. Printed in the U.S.A.

10/19 11081

CP316626



PHD is a member of the MAC Distributor Network



www.phdinc.com