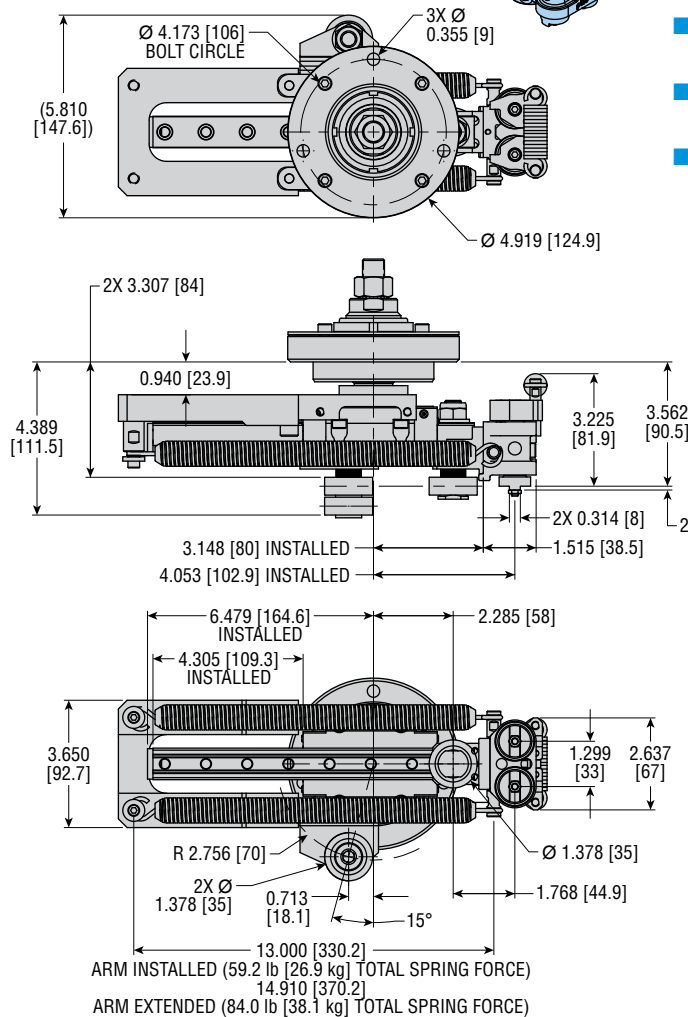
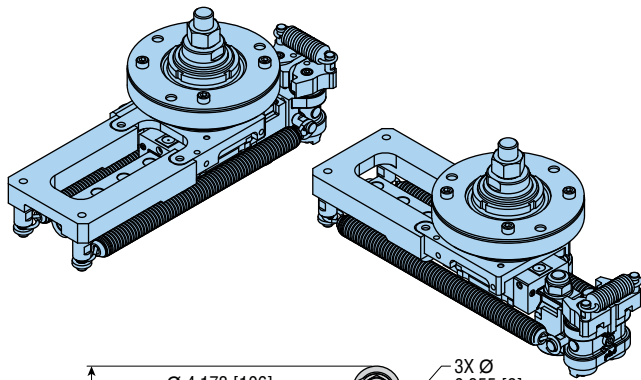


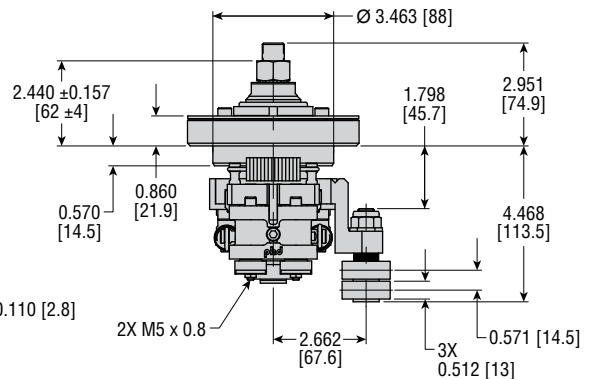


## 'S' Style Series2 SB028 Transfer Arm ML#315545



### BENEFITS

- Threaded vertical height adjustment eliminates need for shim pack, which greatly reduces setup adjustment time (-AP option).
- Linear rail and carriage bearing has increased in size and upgraded to roller bearing style assembly.
- Base, shaft, and pivot incorporated into one piece weldment.
- Head is designed with large radial bearings for increased rigidity and long life.
- Hardened replaceable jaw stop for ease of repair and cost considerations.
- Jaw and retract springs manufactured specifically for PHD, providing greater life.
- All spring return pins hardened and replaceable for ease of repair and cost considerations.
- Unit is designed to operate more than 20 million cycles.



### NOTES:

- 1) DIMENSIONS IN [ ] INDICATE VALUES IN mm
- 2) JAW ROTATION IS 90° TOTAL, 45° EACH JAW
- 3) MAXIMUM TRAVEL OF SLIDE IS 4.291 [ 109.0 ]

All dimensions are reference only unless specifically tolerated.

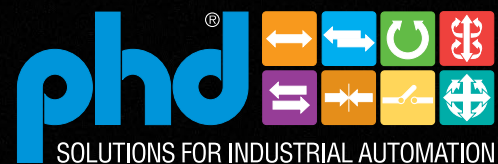
© Copyright 2019, by PHD, Inc. All Rights Reserved. Printed in the U.S.A.

5/19 10929

CP315545



PHD is a member of the  
MAC Distributor Network



www.phdinc.com