

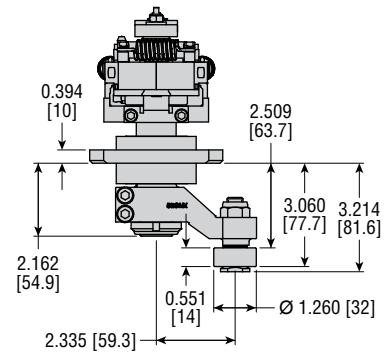
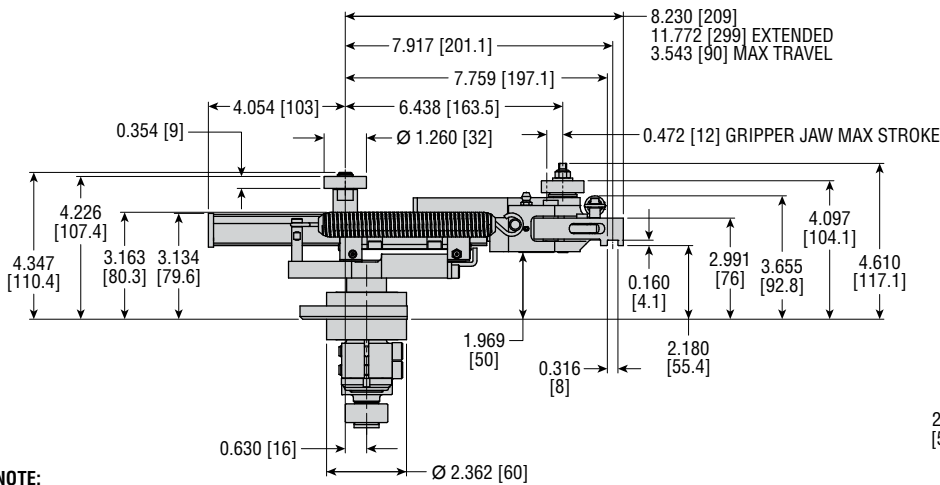
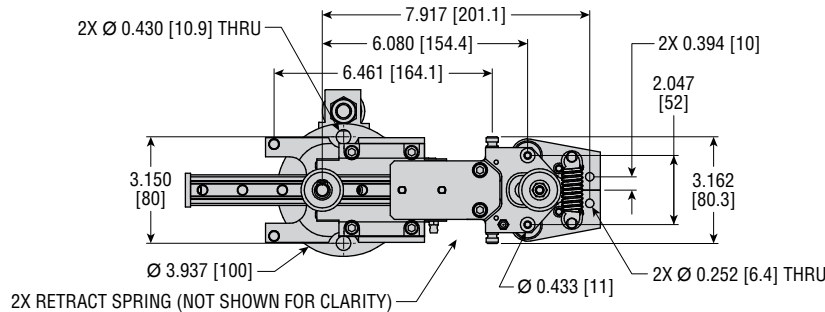
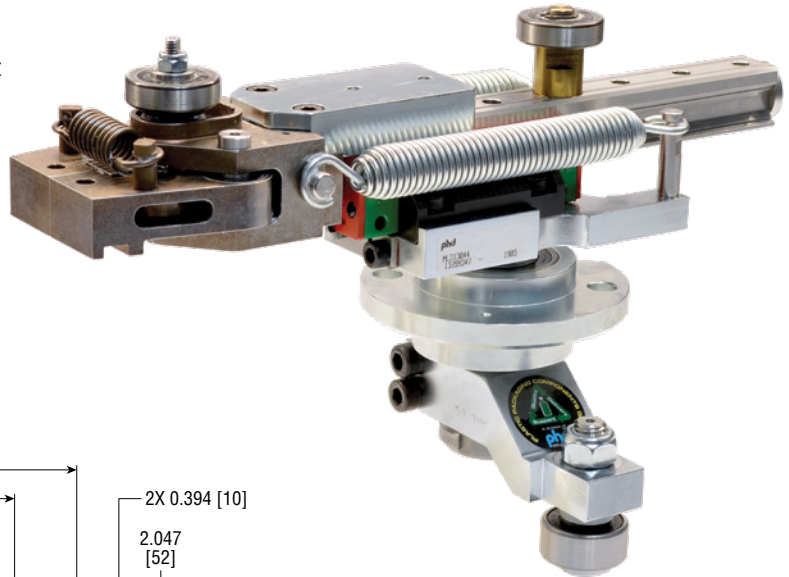


Preferential Transfer Arm

ML#313044 | 'S' Style Series1 Spare Component

BENEFITS

- Linear rail and carriage bearing has increased in size and upgraded to a roller bearing style assembly when compared to PHD's previous design
- Base and shaft have been incorporated into a weldment
- Head is designed with large radial bearings for increased rigidity and long life
- Hardened replaceable jaw stop for ease of repair and cost considerations
- Jaw and retract springs are manufactured specifically for PHD and provide greater life
- All spring return pins are hardened and replaceable for ease of repair and cost considerations
- Unit is designed to operate over 20 million cycles
- Lighter in overall weight than OEM arm



NOTE:
JAW ROTATION IS A TOTAL OF 7°

All dimensions are reference only unless specifically tolerated.

3/19 10840

© Copyright 2019, by PHD, Inc. All Rights Reserved. Printed in the U.S.A.

CP313044



PHD is a member of the
MAC Distributor Network



SOLUTIONS FOR INDUSTRIAL AUTOMATION

www.phdinc.com