



Commercial Laundry Solutions

Braun Door Rotary (Hydraulic)

Open pocket washer/extractor 400 lb & 600 lb load capacity, or Jensen L-tron Open Pocket
ML#310566 & ML#310617

BENEFITS

- Fully field repairable making it very economical versus replacing the unit. This provides the lowest cost of ownership.
- Drop-in replacement for Jensen or Braun units
- Heavy duty - 370 lb axial load bearing
- Wide variety of options and accessories
- High torque - 3540 in-lb max single rack, 7080 in-lb max double rack
- In many cases this unit is over 50% cheaper than the OEM unit.
- Special pinion with thread hole (5/16-18)
- SAE Ports

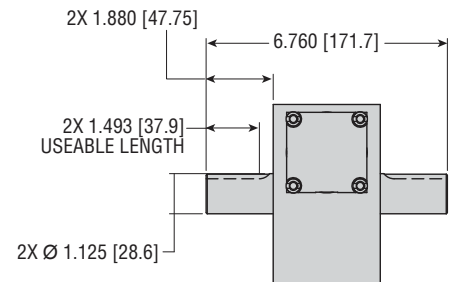
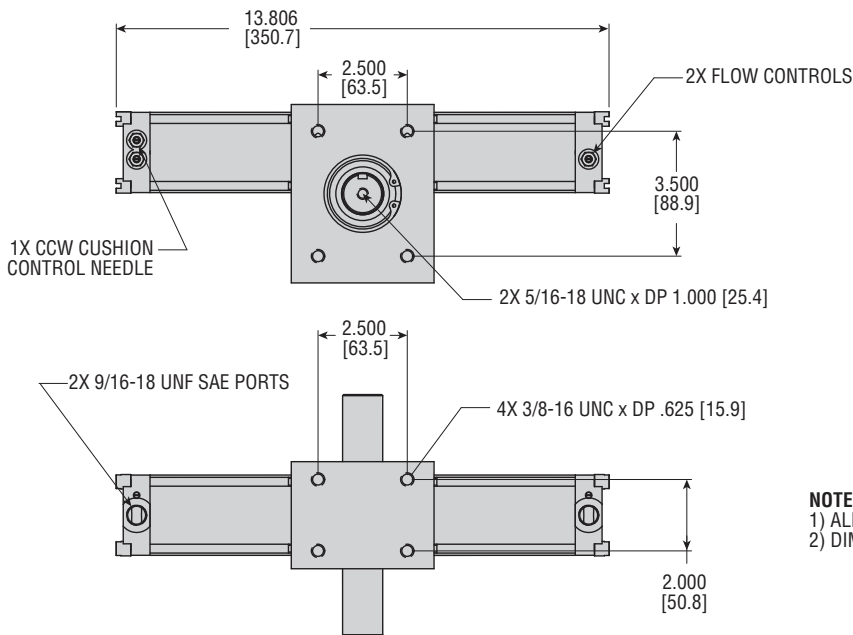


ML#310566



ML#310617

ML#310566



NOTES:
1) ALL DIMENSION ARE REFERENCE DIMENSIONS ONLY
2) DIMENSIONS NOT SHOWN ARE PER MAIN CATALOG DESCRIPTION

CP310566



PHD is a member of the
MAC Distributor Network

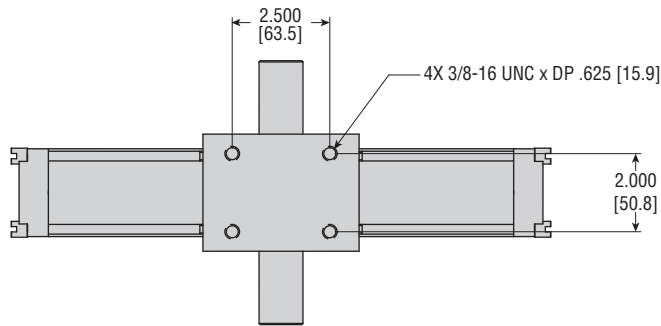
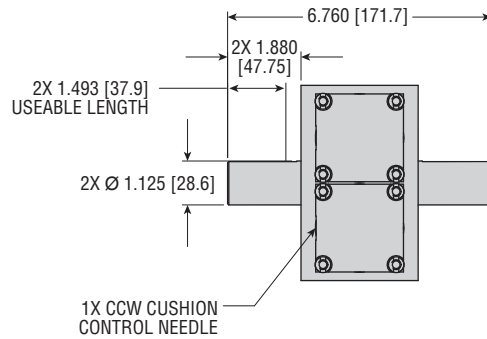
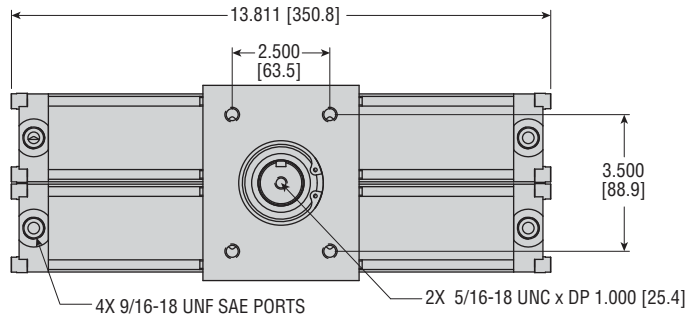


SOLUTIONS FOR INDUSTRIAL AUTOMATION

PHD, Inc. • P.O. Box 9070 • Fort Wayne, IN 46899 • (260) 747-6151 • FAX (260) 747-6754
www.phdinc.com • phdinfo@phdinc.com

DIMENSIONS: Braun Drain Door Rotary

ML#310617



NOTES:

- 1) ALL DIMENSION ARE REFERENCE DIMENSIONS ONLY
- 2) DIMENSIONS NOT SHOWN ARE PER MAIN CATALOG DESCRIPTION
- 3) TOP RACK PORTS IN POS 1, BOTTOM RACK PORTS IN POS 3