



Commercial Laundry Solution

# Diverter Cylinder

ML#310223

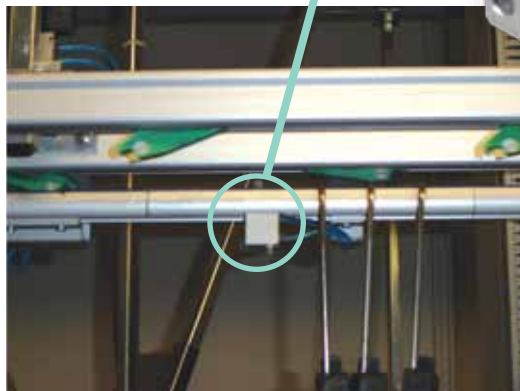
## BENEFITS

- Direct replacement for Watson short stroke cylinder used to divert clothing on overhead conveyors
- Superior delivery
- Cost competitive
- Double acting (single acting available)
- Available with dry film lubrication
- Designed and manufactured by PHD, Inc. USA - Over 50 years of automation solutions experience
- Stainless steel piston rod
- 12 mm bore
- 1/2 in stroke

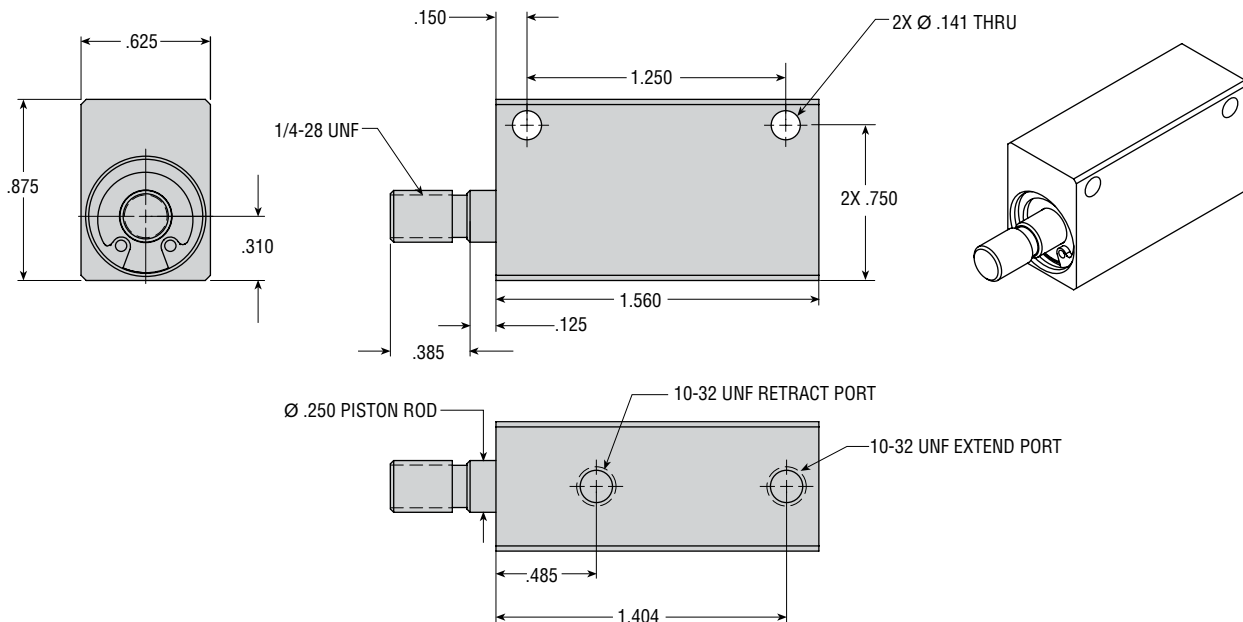
ML#310223 with tooling



Original Watson bronze version



Conceptual picture, actual very similar



© Copyright 2011, by PHD, Inc. All Rights Reserved. Printed in the U.S.A.  
100-1 12/11 8578

CP310223



PHD is a member of the  
MAC Distributor Network



PHD, Inc. • P.O. Box 9070 • Fort Wayne, IN 46899 • (260) 747-6151 • FAX (260) 747-6754  
www.phdinc.com • phdinfo@phdinc.com