



SEMICONDUCTOR SOLUTION

Polymer (PET) Cylinder ML# 308838 & ML# 309338

BENEFITS

- This cylinder is constructed of PET Plastic
- Designed for part production in a deionized water environment
Hydrofluoric acid environment (% of)
- Fully field repairable
- Simple design, long life
- Double-acting
- Lightweight when compared to other PHD cylinders
- Longer bearing surface when compared to other cylinders
- Smooth body

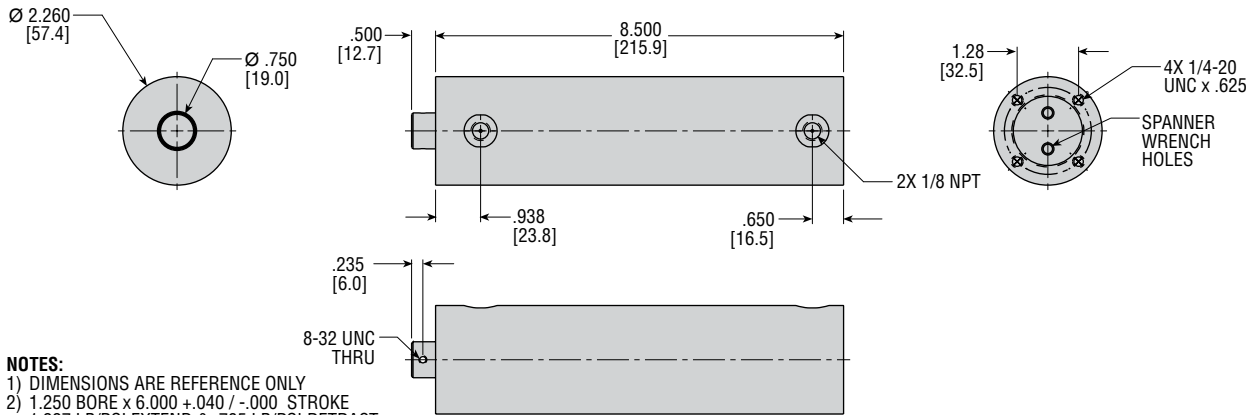


ML# 308838 Shown



DIMENSIONS

ML# 308838



NOTES:

- 1) DIMENSIONS ARE REFERENCE ONLY
- 2) 1.250 BORE x 6.000 +.040 / -.000 STROKE
1.227 LB/PSI EXTEND & .785 LB/PSI RETRACT
20 PSI MIN BREAKAWAY
- 3) ALL PARTS ARE WHITE PET PLASTIC EXCEPT
SEALS WHICH ARE VITON.

CP308838

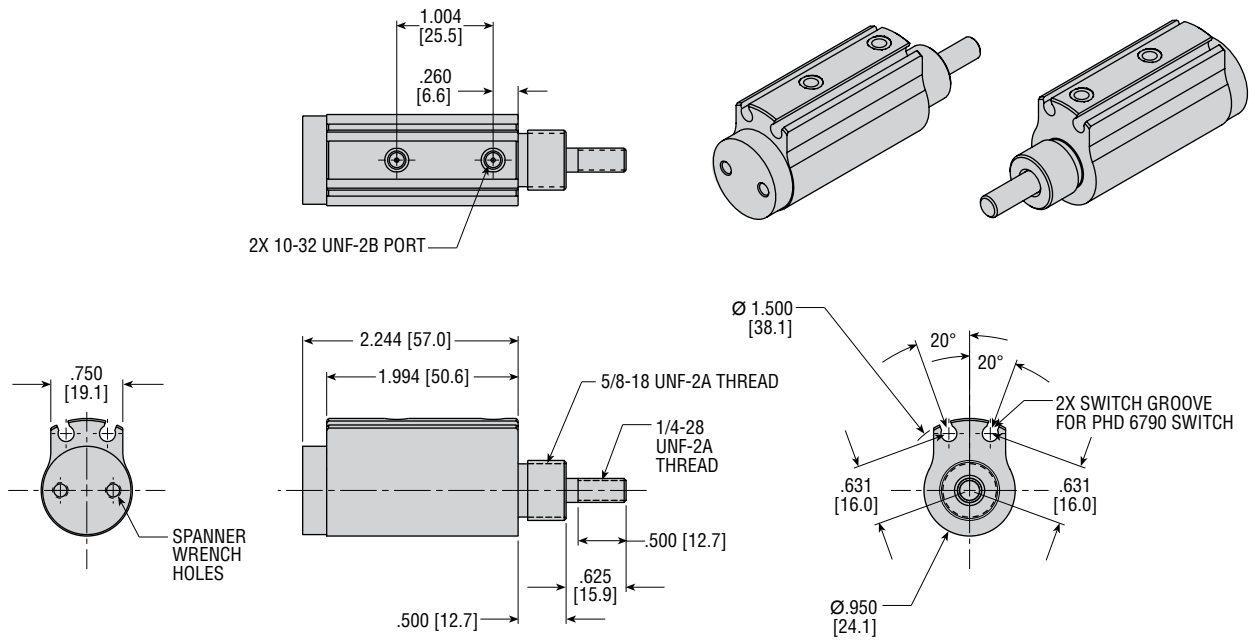


PHD is a member of the
MAC Distributor Network

PHD, Inc. • P.O. Box 9070 • Fort Wayne, IN 46899 • (260) 747-6151 • FAX (260) 747-6754
www.phdinc.com • phdinfo@phdinc.com

DIMENSIONS: POLYMER (PET) CYLINDER

ML#309338



- NOTES:**
- 1) 3/4 BORE x 1/2 STROKE
 - 2) BODY, PISTON / ROD AND CAP ARE MADE FROM WHITE PET
 - 3) PISTON MAGNET FOR PHD SERIES 6790 SWITCH