



Commercial Laundry Solution

Ellis Drain Cylinder Replacement ML#307798

*Provides Longer Life and Reduces Down Time
for Critical Laundry Components*

BENEFITS

- Drop-in replacement
- Flange mounting pattern matches
- Rod threads match (1/2-20)
- Fully field repairable making it very economical versus replacing the unit. This provides the lowest cost of ownership.
- Washdown tolerant
- Field tested with longer life
- Rod diameter is 1/8 inch smaller than OEM cylinder (3/4 inch diameter)

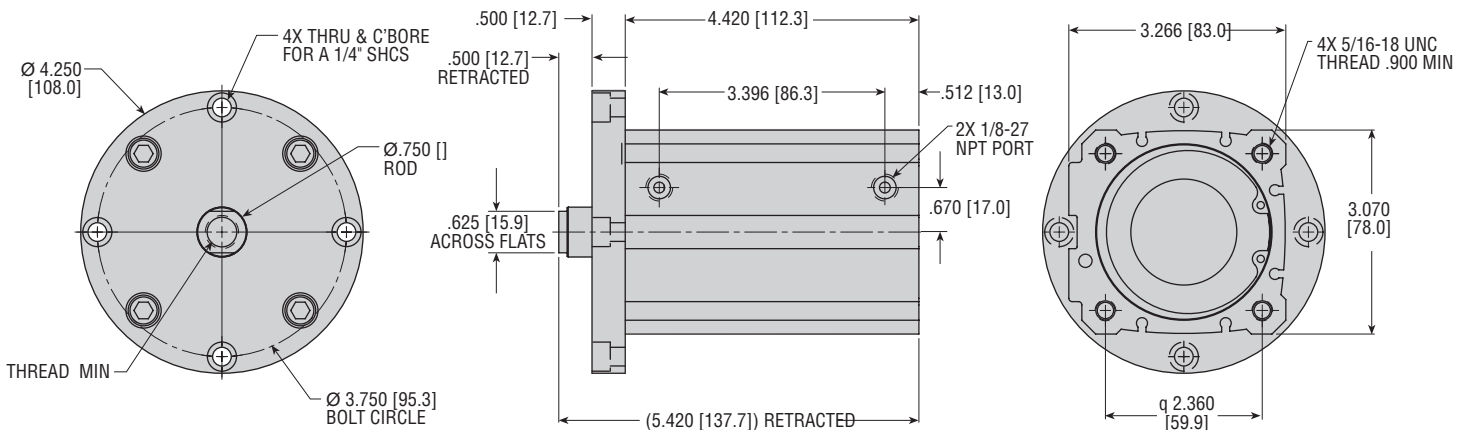


Problem

The washdown solution caused the competitor's drain cylinder head and body to break down and fail prematurely.

Solution

This design allows for the waste water solution to wash away from the cylinder head and body. Field testing has proven this design to more than double the life of the OEM standard cylinder in specified conditions.



NOTES:

- 1) ALL DIMENSIONS ARE FOR REFERENCE ONLY. STD TITLE BLOCK DIMENSIONS DO NOT APPLY.
- 2) UNIT CONSISTS OF A CUSTOM CRS SERIES CYLINDER (63mm BORE x 2-3/4" STROKE) WITH A CUSTOM FLANGE TO MATCH CUSTOMER CYLINDER MOUNTING.
- 3) SEE TITLE BLOCK FOR FULL SERIES CRS DESCRIPTION THIS CUSTOM PRODUCT IS BASED ON.

© Copyright 2011, by PHD, Inc. All Rights Reserved. Printed in the U.S.A.

CP307798
100-I 12/11 8578



PHD is a member of the
MAC Distributor Network



SOLUTIONS FOR INDUSTRIAL AUTOMATION

PHD, Inc. • P.O. Box 9070 • Fort Wayne, IN 46899 • (260) 747-6151 • FAX (260) 747-6754
www.phdinc.com • phdinfo@phdinc.com