



# Commercial Laundry Solution

## Lavatec Drain Cylinder Replacement

ML#307675 - Open pocket washer/extractor 440 lb load capacity

### BENEFITS

- Drop-in replacement
- Fully field repairable making it very economical versus replacing the unit. This provides the lowest cost of ownership.
- Washdown tolerant
- Field tested with longer life
- Electroless nickle-plated head and mounting
- Design based on PHD standard Series CV Cylinder
- Rod diameter larger than PressMAir unit providing superior performance

*Provides Longer Life and Reduces Down Time for Critical Laundry Components*

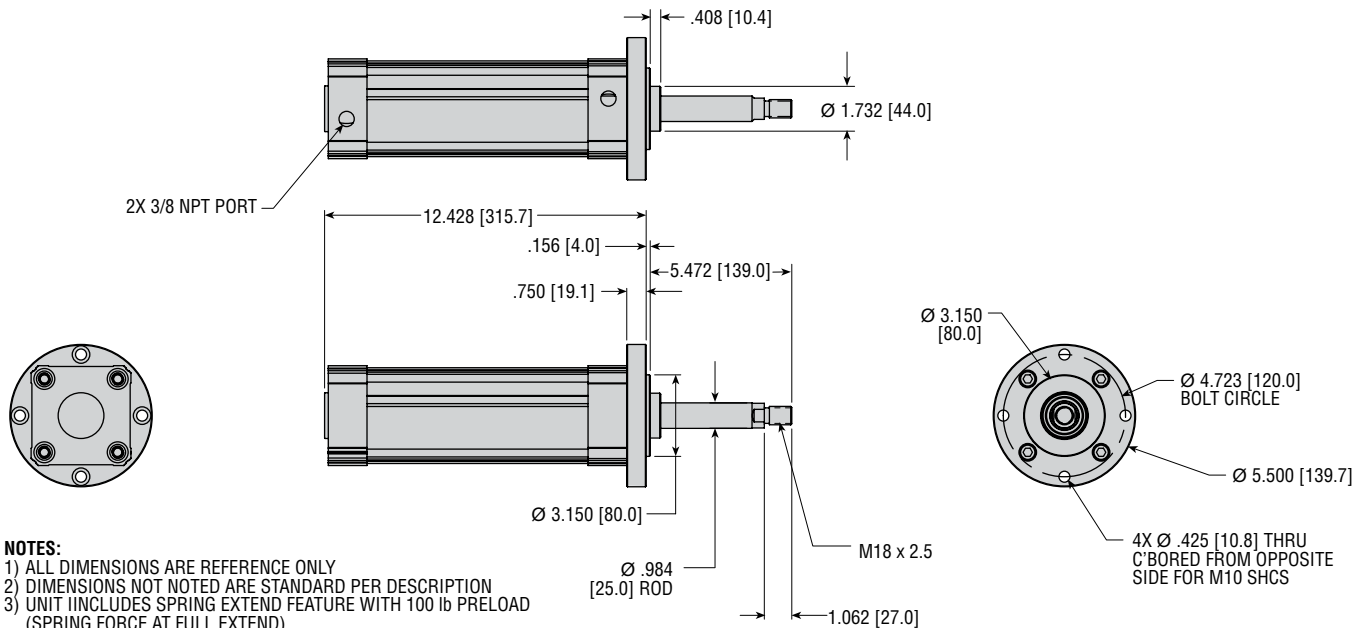


### Problem

The washdown solution caused the competitor's drain cylinder head and body to break down and fail prematurely.

### Solution

This design allows for the waste water solution to wash away from the cylinder head and body. Field testing has proven this design to more than double the life of the OEM standard cylinder in specified conditions.



- NOTES:**
- 1) ALL DIMENSIONS ARE REFERENCE ONLY
  - 2) DIMENSIONS NOT NOTED ARE STANDARD PER DESCRIPTION
  - 3) UNIT INCLUDES SPRING EXTEND FEATURE WITH 100 lb PRELOAD (SPRING FORCE AT FULL EXTEND)
  - 4) UNIT SHOWN AT FULL EXTEND

© Copyright 2011, by PHD, Inc. All Rights Reserved. Printed in the U.S.A.

CP307675

50-I 11/11 8556



PHD is a member of the  
MAC Distributor Network



PHD, Inc. • P.O. Box 9070 • Fort Wayne, IN 46899 • (260) 747-6151 • FAX (260) 747-6754  
www.phdinc.com • phdinfo@phdinc.com