



CORROSION RESISTANT SOLUTION

Corrosion Resistant Compact Heavy Duty Slide

ML# 307246

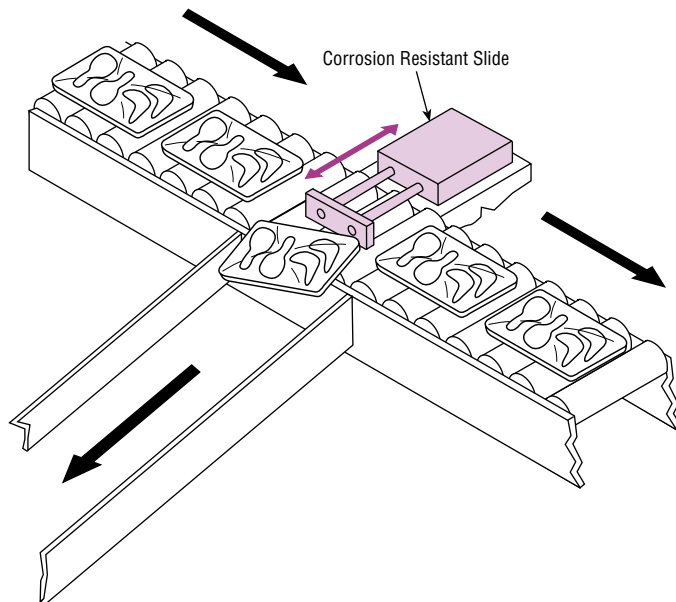
BENEFITS

- 100% corrosion resistant
- Materials used - Nytuff hardcoat aluminum for maximum corrosion resistance
- Long life
- Field repairable
- Large guide shafts
- Heavy duty, rugged
- Stainless steel stop collars
- Bumpers



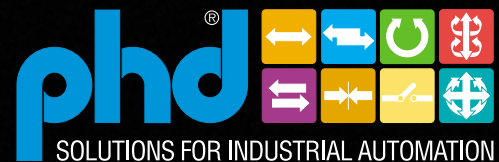
UNIT FEATURES

- Bore Size: 25 mm
 - Stroke: 2.000 +.080/- .000 in [25 mm]
 - Body: Nytuff hardcoat aluminum
 - Tool Plate: Nytuff hardcoat aluminum
 - Guide Shafts: Chrome-plated stainless steel with scrapers
 - Retaining Rings: Nytuff hardcoated
 - Fasteners: Stainless steel
- (This washdown configuration can be applied to other bores and strokes. Contact PHD, Inc. for more information.)



© Copyright 2007, by PHD, Inc. All Rights Reserved. Printed in the U.S.A.

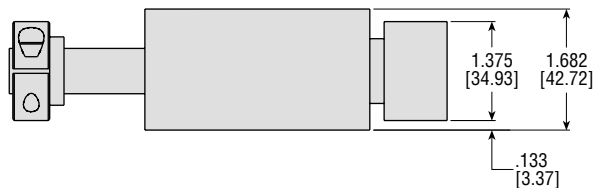
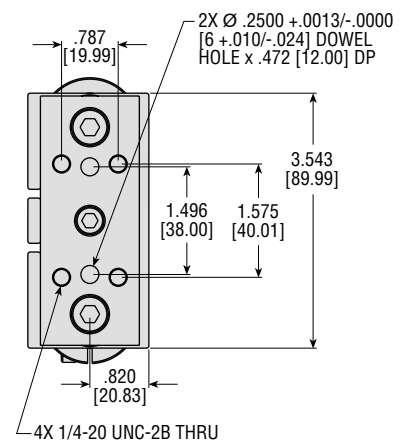
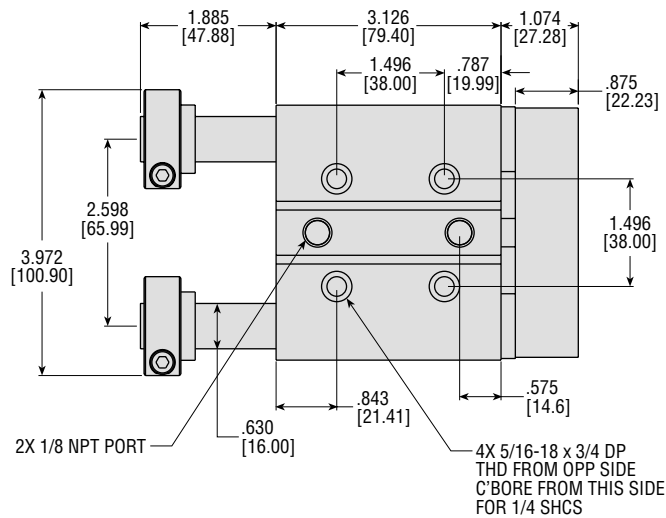
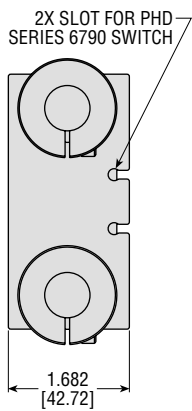
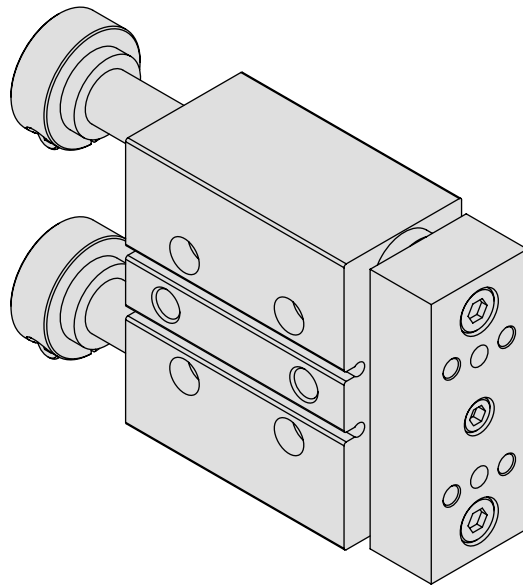
CP307246^A



PHD, Inc. • P.O. Box 9070 • Fort Wayne, IN 46899 • (260) 747-6151 • FAX (260) 747-6754
www.phdinc.com • phdinfo@phdinc.com

DIMENSIONS: Corrosion Resistant Compact Heavy Duty Slide

ML#307246



© Copyright 2007, by PHD, Inc. All Rights Reserved. Printed in the U.S.A.

CP307246A

PHD, Inc.
 9009 Clubridge Drive
 P.O. Box 9070, Fort Wayne, Indiana 46899 U.S.A.
 Phone (260) 747-6151 • Fax (260) 747-6754
 www.phdinc.com • phdinfo@phdinc.com

PHDinEurope GmbH
 Arnold-Sommerfeld-Ring 2
 52499 Baesweiler, Germany
 Tel. +49 (0)2401 805 230 • Fax +49 (0)2401 805 232
 www.phdinc.com • info@PHDinEurope.de

100-1 10/07 7406