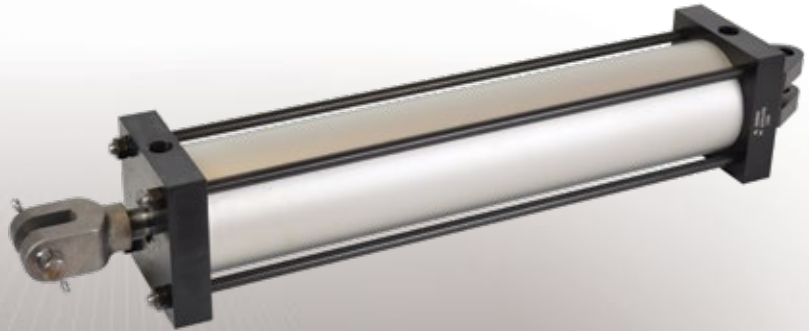


HMA Storage Silo Cylinders

Asphalt Industry

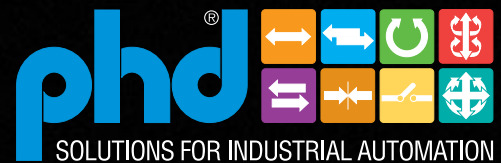
Rugged design and long life for reduced downtime and increased production



ASPHALT18A



PHD is a member of the
MAC Distributor Network



www.phdinc.com

We have the solutions to reduce downtime and increase production.

PHD offers an extensive line of standard pneumatic actuators that are known for long life and high quality. Over the 60 years of innovation, PHD has extended its product offerings to include built-to-need components, price alternative components, electric actuators, specialty workholding clamps, and motion control robots. From single actuator solutions to multi-unit systems, PHD can provide total solution flexibility for practically any application requirement.



SHOWN: 4 x 16 batcher cylinders



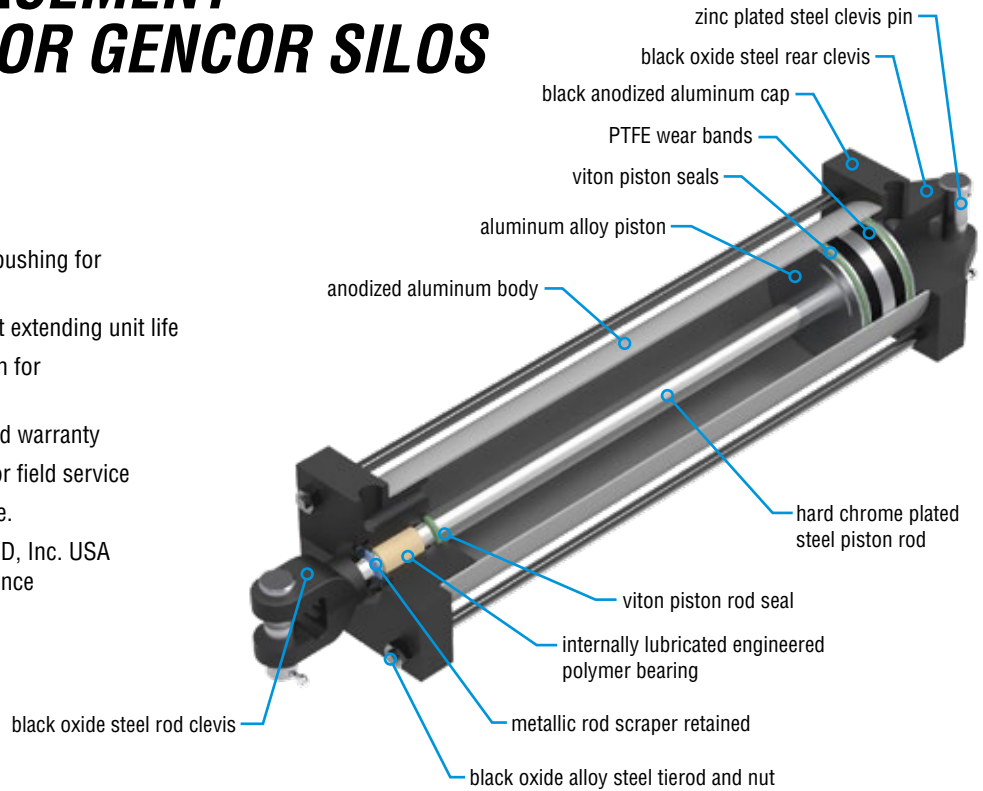
SHOWN:
5 x 24 safety gate cylinders,
6 x 20 discharge cylinders

(List marks of PHD which appear on promotional material) are either registered trademarks or trademarks of PHD, Inc. Any other marks or names referenced herein are either registered trademarks or trademarks of their respective owners. No association with or endorsement of any company, organization, or product is intended or should be inferred.

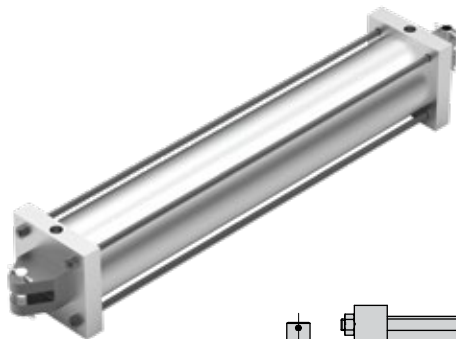
NOPAK REPLACEMENT CYLINDERS FOR GENCOR SILOS

SOLUTIONS

- Drop-in replacement mounting
- Piston wear bands and larger rod bushing for extended cylinder life
- Rod scraper for harsh environment extending unit life
- Ability to remove air line lubrication for less maintenance
- PHD rebuild program with extended warranty
- Competitively-priced rebuild kits for field service
- 4", 5", and 6" bore designs available.
- Designed and manufactured by PHD, Inc. USA with more than 60 years of experience



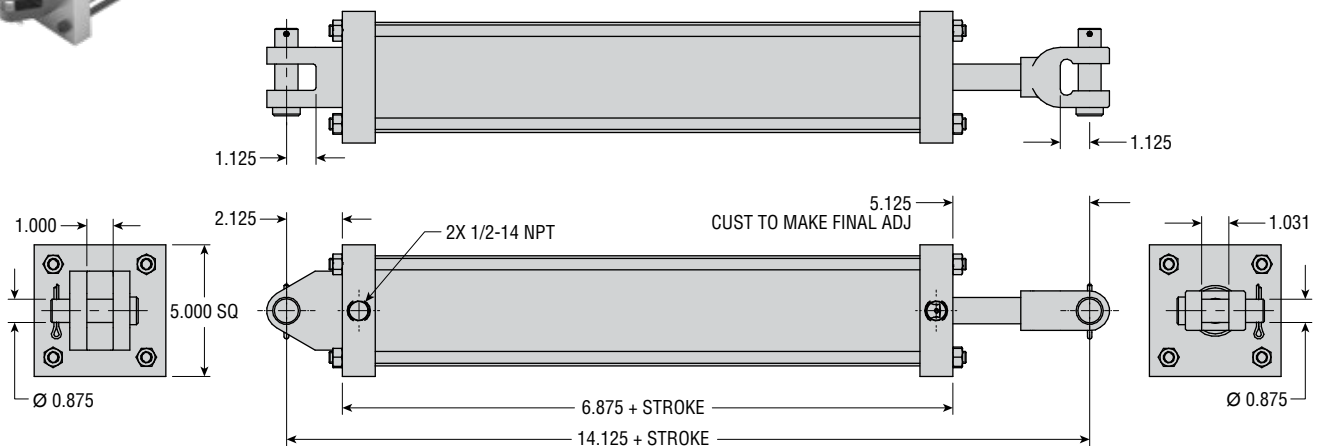
ORDERING DATA & DIMENSIONS: 4" BORE ASPHALT CYLINDER



ML316417 - XX000

PRODUCT LINE
ASPHALT CYLINDER
4" BORE

STROKE
IN 1" INCREMENTS
EG: -16000 = 16" STROKE



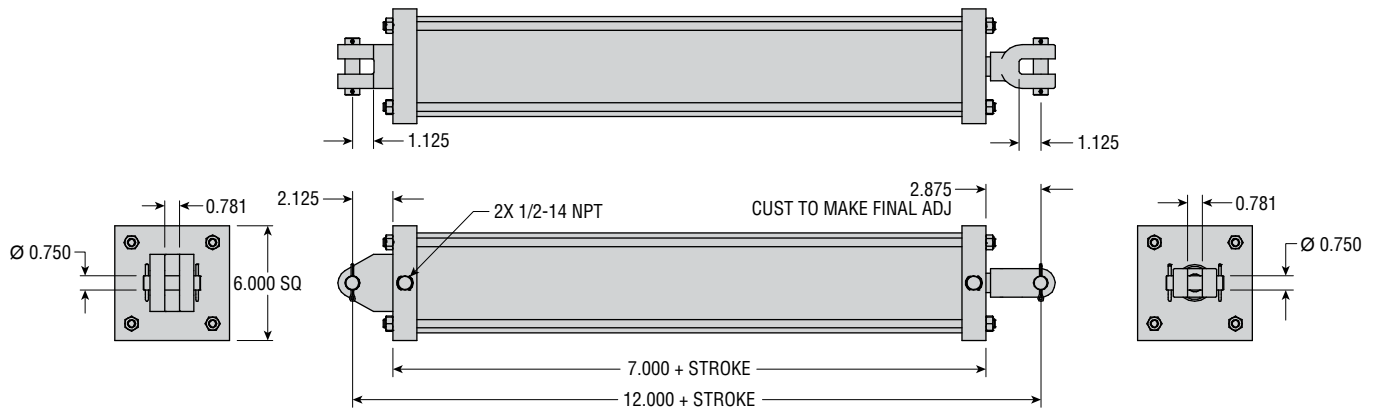
ORDERING DATA & DIMENSIONS: 5" BORE ASPHALT CYLINDER



ML316418 - XX000

PRODUCT LINE
ASPHALT CYLINDER
5" BORE

STROKE
IN 1" INCREMENTS
EG: -24000 = 24' STROKE



ORDERING DATA & DIMENSIONS: 6" BORE ASPHALT CYLINDER



ML316419 - XX000

PRODUCT LINE
ASPHALT CYLINDER
6" BORE

STROKE
IN 1" INCREMENTS
EG: -20000 = 20' STROKE

