



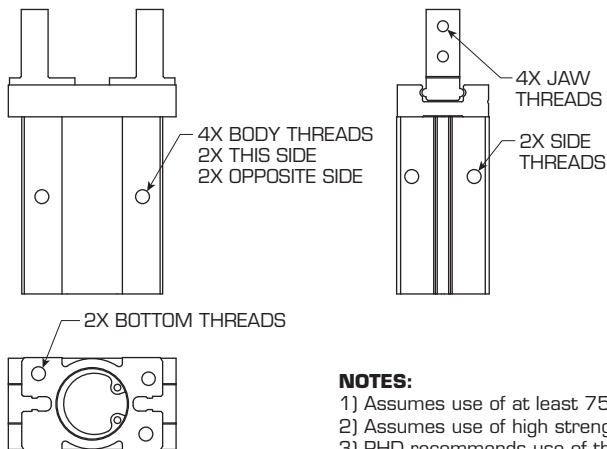
START-UP PROCEDURE: SERIES OGZ GRIPPER

PHD, Inc. makes no warranty as to the fitness of its products or as to the length of service life after being repaired or parts replaced by anyone other than authorized employees of PHD, Inc. In no event shall PHD, Inc. be liable for loss of profits, indirect, consequential, or incidental damages arising out of the use of PHD products.

GRIPPER START-UP PROCEDURE

- 1) Securely mount unit and attach tooling (see table below for recommended torques)
- 2) Install external flow controls
- 3) Provide adequate clearance for jaw travel
- 4) Slowly apply pressure to unit

Specifications	Series OGZ Gripper			
	OGZD15-10x4	OGZD15-16x6	OGZD15-20x10	OGZD15-25x14
Bore Size (mm)	10	16	20	25
Jaw Travel (mm)	4	6	10	14
Port Size	M3	M5		
Operating Pressure (bar [psi])	2-7 [29.0-101.5]		1-7 [14.5-101.5]	
Operating Temperature	-10 - 60°C [14 - 140°F]			
Repeatability (mm [in])	±0.01 [±0.0004]			
Close/Open Time at 6 bar (sec)	0.030 / 0.025	0.055 / 0.040	0.100 / 0.060	
Rated Life	3 million cycles			
Lubrication	Factory lubricated for rated life			
Unit Weight (g [lb])	55 [0.12]	125 [0.28]	250 [0.55]	460 [1.01]



NOTES:

- 1) Assumes use of at least 75% of full thread depth
- 2) Assumes use of high strength steel socket head cap screws
- 3) PHD recommends use of threadlocker on mounting threads

Size	Recommended Mounting Torques							
	Body Threads		Bottom Threads		Side Threads		Jaw Threads	
	Nm	in-lb	Nm	in-lb	Nm	in-lb	Nm	in-lb
OGZD15-10x4	1.7	15	1.7	15	1.7	15	0.8	7
OGZD15-16x6	2.8	25	2.8	25	2.8	25	1.8	15
OGZD15-20x10	4.5	40	4.5	40	4.5	40	2.8	25
OGZD15-25x14	9	80	9	80	9	80	4.5	40

Replacement Switches

Part No.	Description
86725-0	Reed DC 5-30 V, 50 mA, Quick Connect
86726-0	Sink Type (NPN), DC 5-30 V, 50 mA, Quick Connect
86727-0	Source Type (PNP), DC 5-30 V, 50 mA, Quick Connect

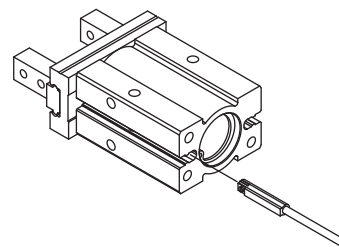
Includes one switch

WIRING SCHEMATIC

SWITCH CIRCUIT TYPE	phd OPTIMAX	CE	QUICK CONNECT
86725-0 REED SWITCH	REED DC 5-30V, 50mA MODEL: 86725 - 0		
86726-0 SOLID STATE SINK/NPN	NPN SOLID STATE DC 5-30V, 50mA MODEL: 86726 - 0		
86727-0 SOLID STATE SOURCE/PNP	PNP SOLID STATE DC 5-30V, 50mA MODEL: 86727 - 0		

SWITCH INSTALLATION

- 1) Failure to connect switches per appropriate diagram may result in permanent switch damage
- 2) Slide switch into desired slot as shown
- 3) Adjust location until switch indicates proper jaw location
- 4) Secure switch by tightening mounting screw - DO NOT OVER TIGHTEN



For additional technical assistance, call or visit our website:

phd, Inc. 1-800-624-8511
www.phdinc.com
9009 Clubbridge Drive, Fort Wayne, IN 46809