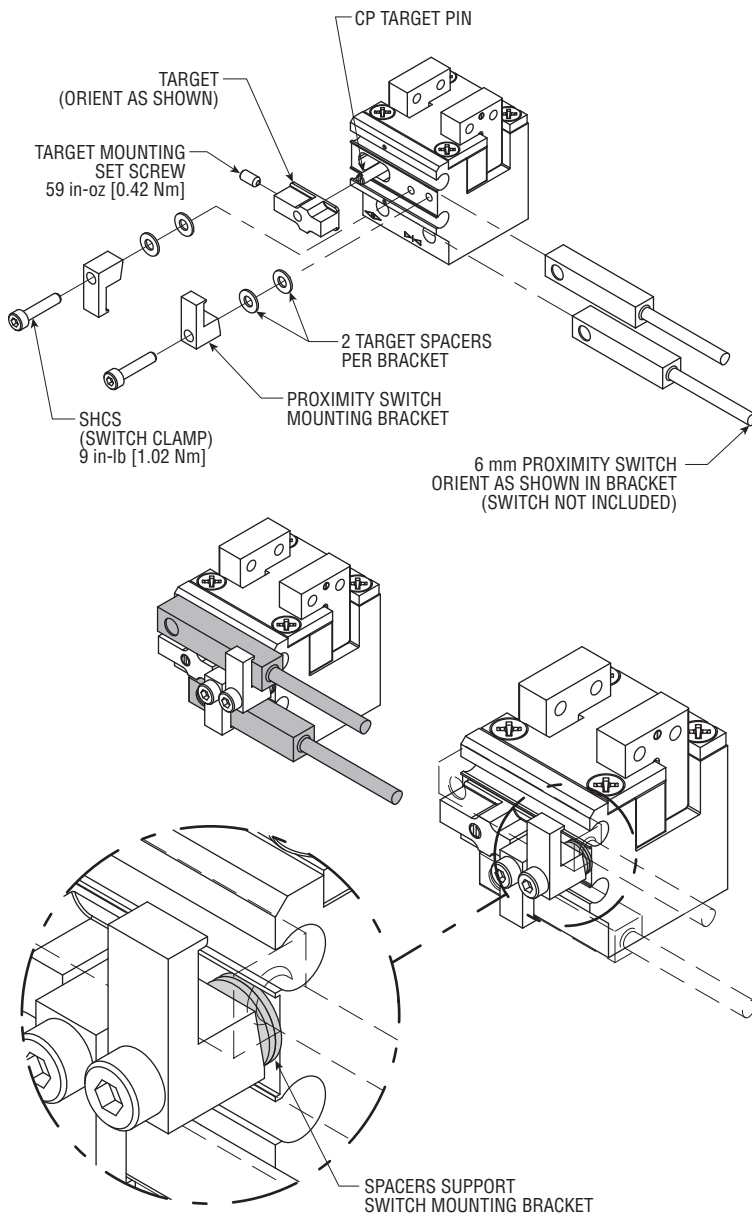


phd[®] SWITCH MOUNTING KITS & INSTALLATION: SERIES GRF

DESIGN 2 [6] GRIPPERS (REQUIRES -CP PROXIMITY SWITCH READY OPTION)



GRF SIZE 19 INSTALLING AND ADJUSTING 6 mm SQUARE PROXIMITY SWITCH. DO NOT EXCEED RECOMMENDED TORQUE SPECIFICATIONS.

- 1) Apply removable threadlocker to target mounting set screw, loosely install in target.
- 2) Place target assembly on CP target pin oriented as shown.
- 3) Tighten target mounting set screw to recommended torque specification.
- 4) Apply removable threadlocker to bracket mounting socket head cap screw and loosely install through bracket.
- 5) Place two spacers on bracket mounting socket head cap screw after installing through bracket.
- 6) Loosely thread socket head cap screw, bracket and spacers into body of gripper oriented as shown.
- 7) Slide 6 mm switch between bracket and slot in body.
- 8) Adjust distance between switch and target so switch trips properly. Tighten switch bracket socket head cap screw to hold switch in place. **NOTE:** Do not allow switches to rub against target while cycling.
- 9) Adjust on/off position of switch per your requirements.
- 10) Tighten switch bracket socket head caps screws to recommended torque specification.
- 11) Repeat steps 4 through 9 for other switch.

6 mm SQUARE PROXIMITY SWITCH MOUNTING KIT

SIZE	KIT NUMBER	
	1 BRACKET	2 BRACKETS
GRF31-2[6]-19	88327-19-1	88327-19-2

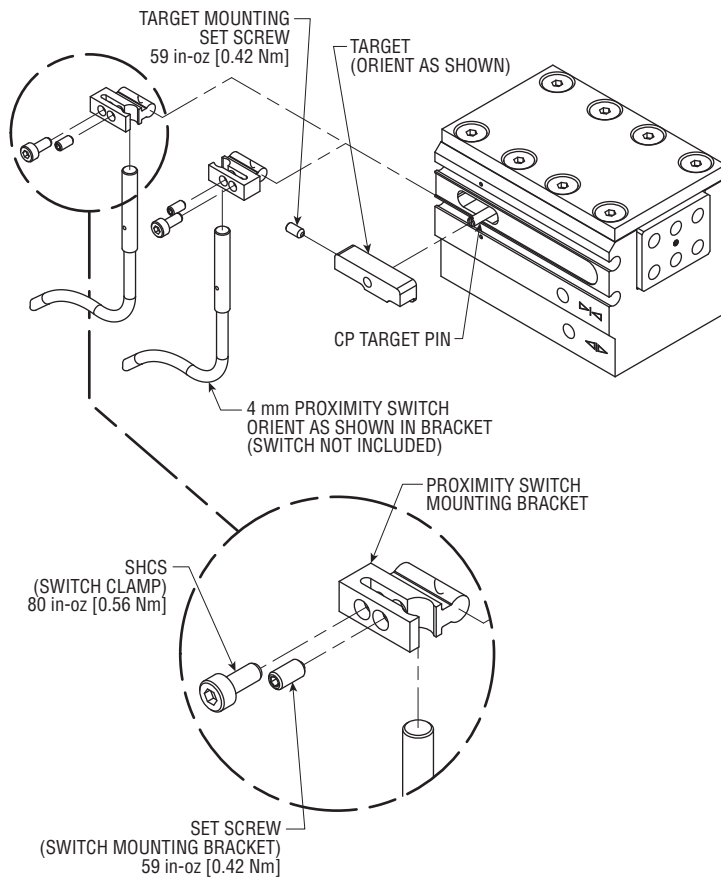
Kit includes: one target and target mounting set screw. Each kit includes a bracket for mounting a 6 mm switch along with two spacers and SHCS for mounting the bracket. -2 kits include two brackets with mounting hardware.

For additional technical assistance, call or visit our website:

phd,inc. P.O. Box 9070, Fort Wayne, IN 46899
1-800-624-8511
www.phdinc.com

phd® SWITCH MOUNTING KITS & INSTALLATION: SERIES GRF

DESIGN 2 [6] GRIPPERS (REQUIRES -CP PROXIMITY SWITCH READY OPTION)



GRF SIZES 25, 28, & 32 INSTALLING AND ADJUSTING 4 mm ROUND PROXIMITY SWITCH. DO NOT EXCEED RECOMMENDED TORQUE SPECIFICATIONS.

- 1) Apply removable threadlocker to target mounting set screw, loosely install in target.
- 2) Place target assembly on CP target pin oriented as shown.
- 3) Tighten target mounting set screw to the recommended torque specification.
- 4) Apply removable threadlocker to switch clamp SHCS and switch bracket set screw.
- 5) Loosely install SHCS and set screw in proximity switch bracket.
- 6) Insert switch into switch bracket assembly as shown and lightly tighten SHCS to hold switch in place.
- 7) Slide switch bracket assembly with switch into slot in body.
- 8) Adjust distance between switch and target so switch trips properly. Tighten SHCS to recommended torque specification.
- 9) Adjust on/off position of switch per your requirements.
- 10) Tighten switch mounting bracket set screw to recommended torque specification.

4 mm ROUND PROXIMITY SWITCH MOUNTING KITS

SIZE	KIT NUMBER	
	1 BRACKET	2 BRACKETS
GRF34-2[6]-25	88327-25-1	88327-25-2
GRF33-2[6]-25	88327-28-1	88327-28-2
GRF33-2[6]-28	88327-28-1	88327-28-2
GRF33-2[6]-32	88327-32-1	88327-32-2

Kits include: one target and target mounting set screw.
Each kit includes a bracket for mounting a 4 mm switch
along with a set screw and SHCS for mounting the bracket.
-2 kits include two brackets with mounting hardware.

For additional technical assistance, call or visit our website:

phd, Inc. P.O. Box 9070, Fort Wayne, IN 46899
1-800-624-8511
www.phdinc.com