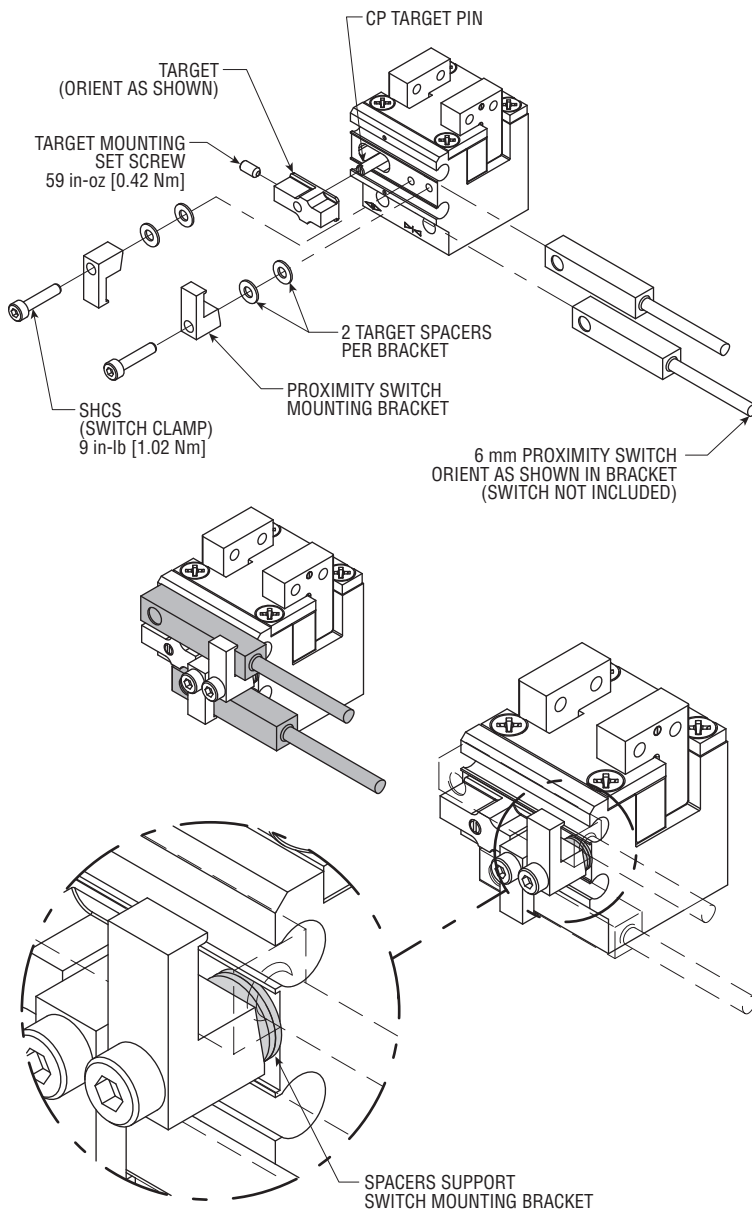


phd[®] SWITCH MOUNTING KITS & INSTALLATION: SERIES GRS

DESIGN 2 [6] GRIPPERS (REQUIRES -CP PROXIMITY SWITCH READY OPTION)



GRS SIZE 19

INSTALLING AND ADJUSTING 6 mm SQUARE PROXIMITY SWITCH. DO NOT EXCEED RECOMMENDED TORQUE SPECIFICATIONS

- 1) Apply removable threadlocker to target mounting set screw, loosely install in target.
- 2) Place target assembly on CP target pin oriented as shown.
- 3) Tighten target mounting set screw to recommended torque specification.
- 4) Apply removable threadlocker to bracket mounting socket head cap screw and loosely install thru bracket.
- 5) Place two spacers on bracket mounting socket head cap screw after installing through bracket.
- 6) Loosely thread socket head cap screw, bracket and spacers into body of gripper oriented as shown.
- 7) Slide 6 mm switch between bracket and slot in body.
- 8) Adjust distance between switch and target so switch trips properly. Tighten switch bracket socket head cap screw to hold switch in place. **NOTE:** Do not allow switches to rub against target while cycling.
- 9) Adjust on/off position of switch per your requirements.
- 10) Tighten switch bracket socket head caps screws to recommended torque specification.
- 11) Repeat steps 4 through 9 for other switch.

PROXIMITY SWITCH MOUNTING KITS

SIZE	KIT NUMBER	
	1 BRACKET	2 BRACKETS
19	88326-19-1	88326-19-2
25 (GRS34)	88326-25-1	88326-25-2
25 (GRS33)	88326-27-1	88326-27-2
27	88326-27-1	88326-27-2
28	88326-28-1	88326-28-2
32	88326-32-1	88326-32-2
40	88326-40-1	88326-40-2
50	88326-50-1	88326-50-2
63	88326-63-1	88326-63-2

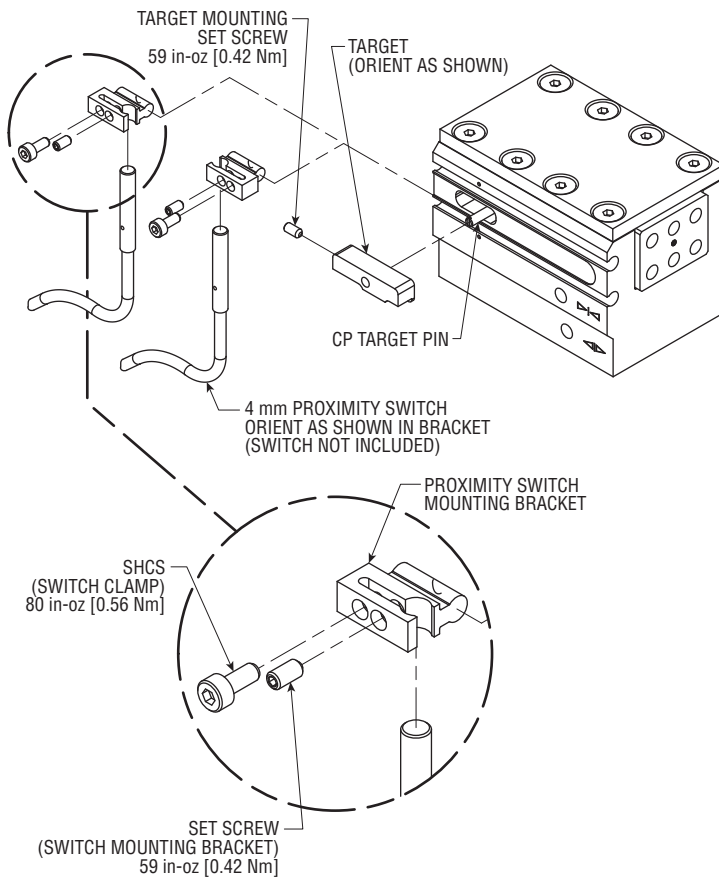
Kit includes 1 target and 1 or 2 switch mounting brackets. Requires -CP option.

For additional technical assistance, call or visit our website:

P.O. Box 9070, Fort Wayne, IN 46899
1-800-624-8511
www.phdinc.com

phd[®] SWITCH MOUNTING KITS & INSTALLATION: SERIES GRS

DESIGN 2 [6] GRIPPERS (REQUIRES -CP PROXIMITY SWITCH READY OPTION)



GRS SIZES 25, 27, 28, 32, & 40

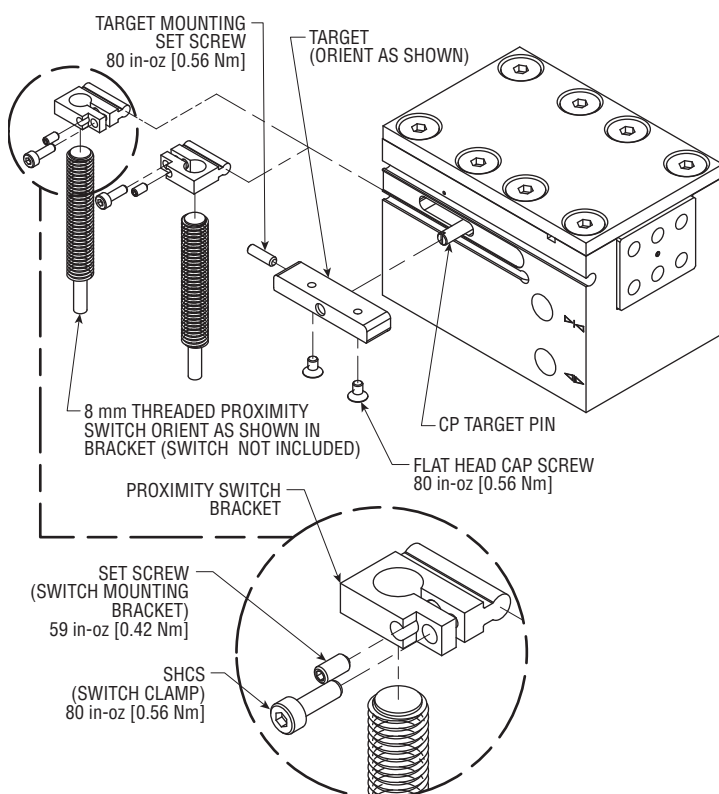
INSTALLING AND ADJUSTING 4 mm ROUND PROXIMITY SWITCH. DO NOT EXCEED RECOMMENDED TORQUE SPECIFICATIONS

- 1) Apply removable threadlocker to target mounting set screw, loosely install in target.
- 2) Place target assembly on CP target pin oriented as shown.
- 3) Tighten target mounting set screw to recommended torque specification.
- 4) Apply removable threadlocker to switch clamp SHCS and switch bracket set screw.
- 5) Loosely install SHCS and set screw in proximity switch bracket.
- 6) Insert switch into switch bracket assembly as shown and lightly tighten SHCS to hold switch in place.
- 7) Slide switch bracket assembly with switch into slot in body.
- 8) Adjust distance between switch and target so switch trips properly. Tighten SHCS to recommended torque specification.
- 9) Adjust on/off position of switch per your requirements.
- 10) Tighten switch mounting bracket set screw to recommended torque specification.

GRS SIZES 50 & 63

INSTALLING AND ADJUSTING 8 mm THREADED PROXIMITY SWITCH. DO NOT EXCEED RECOMMENDED TORQUE SPECIFICATIONS

- 1) Apply threadlocker to flat head cap screws and install in target to recommended torque.
- 2) Apply removable threadlocker to target mounting set screw, loosely install in target assembly.
- 3) Place target assembly on CP target pin oriented as shown.
- 4) Tighten target mounting set screw to recommended torque specification.
- 5) Apply removable threadlocker to switch clamp SHCS and switch mounting bracket set screw.
- 6) Loosely install SHCS and set screw in proximity switch bracket.
- 7) Thread switch into switch bracket assembly as shown and lightly tighten SHCS to prevent switch from easily rotating.
- 8) Slide switch bracket assembly with switch into slot in body.
- 9) Adjust distance between switch and target so switch trips properly. Tighten switch clamp SHCS to recommended torque specification.
- 10) Adjust on/off position of switch per your requirements.
- 11) Tighten switch mounting bracket set screw to recommended torque specification.



For additional technical assistance, call or visit our website:

phd, Inc. P.O. Box 9070, Fort Wayne, IN 46899
1-800-624-8511
www.phdinc.com